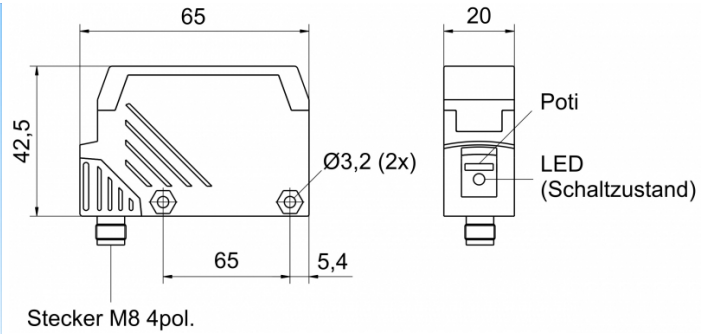
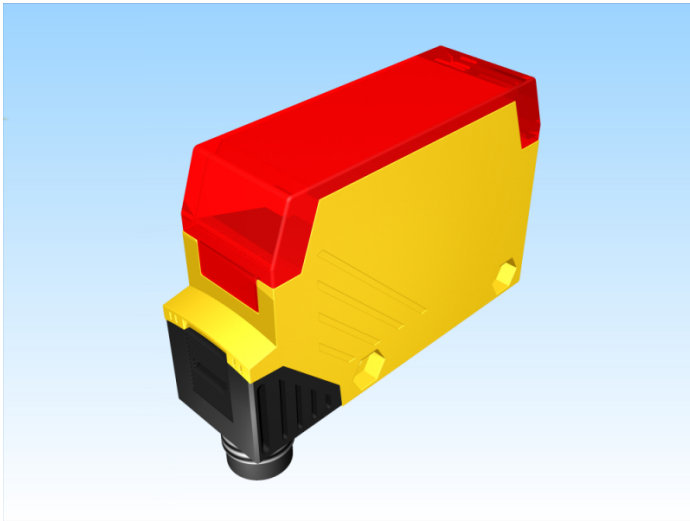


[Article Page](#)

Product Description



reflex light barrier

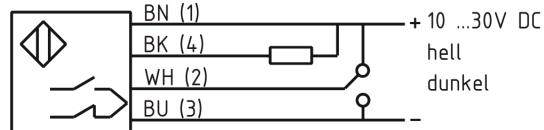


Name
Order number
Switch type

Signal Type
Illuminant
Connection
Connection diagramm

KORP13M-Q64KB-DNU-V1-RT
08362215004

 Switchable
NPN
 Red light 650 nm
connector M8



Q 20 x 60 x 43

Dimension (in mm)
Technical Specification
Signal type
Operating voltage
Max. load current
No load current
Switching frequency
Operating temperature
Switching state
Measuring range
Sensitivity adjustable
Short-circuit proof
Overload protection
Reverse voltage protection
Protection category
EMC-level
Housing material
Termination

Polarized retroreflective sensor
10 - 30 V DC
100 mA
< 35 mA
700 Hz
-25 ° C to 55 ° C
LED
13 m
ja
yes
yes
yes
IP67
DIN EN 60947-5-2:2008
Plastic
Connector M8 4pol

Errors and omissions exceptet