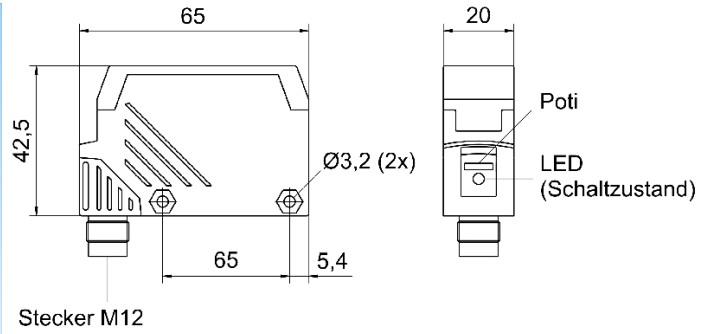
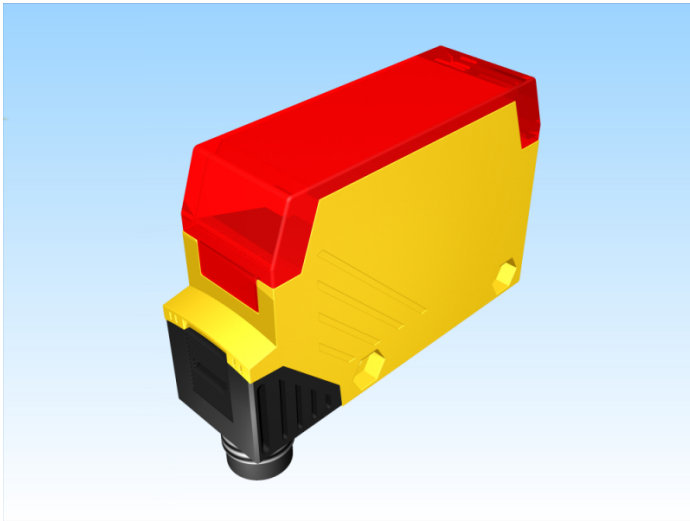


[Article Page](#)

Product Description

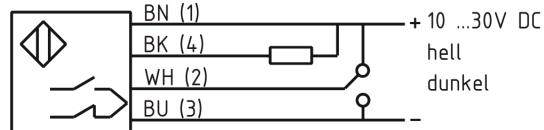
reflex light barrier



Name  
Order number  
Switch type  
  
Signal Type  
Illuminant  
Connection  
Connection diagramm

KORP13M-Q64KB-DNU-V2-RT  
08362215007

 Switchable  
NPN  
 Red light 650 nm  
connector M12



Q 20 x 60 x 43

Dimension (in mm)  
Technical Specification  
Signal type  
Operating voltage  
Max. load current  
No load current  
Switching frequency  
Operating temperature  
Switching state  
Measuring range  
Sensitivity adjustable  
Short-circuit proof  
Overload protection  
Reverse voltage protection  
Protection category  
EMC-level  
Housing material  
Termination

Polarized retroreflective sensor  
10 - 30 V DC  
100 mA  
< 35 mA  
700 Hz  
-25 ° C to 55 ° C  
LED  
13 m  
ja  
yes  
yes  
yes  
IP67  
DIN EN 60947-5-2:2008  
Plastic  
Connector M12 4pol

**Errors and omissions exceptet**