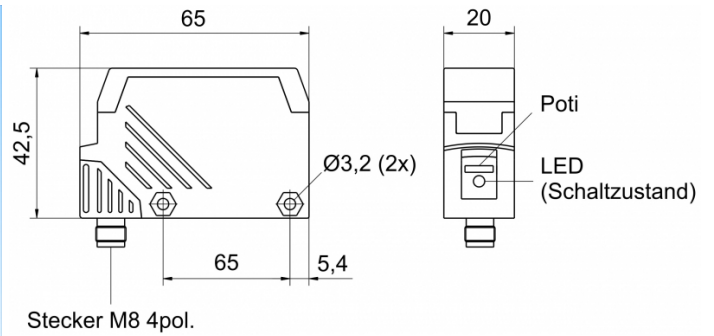
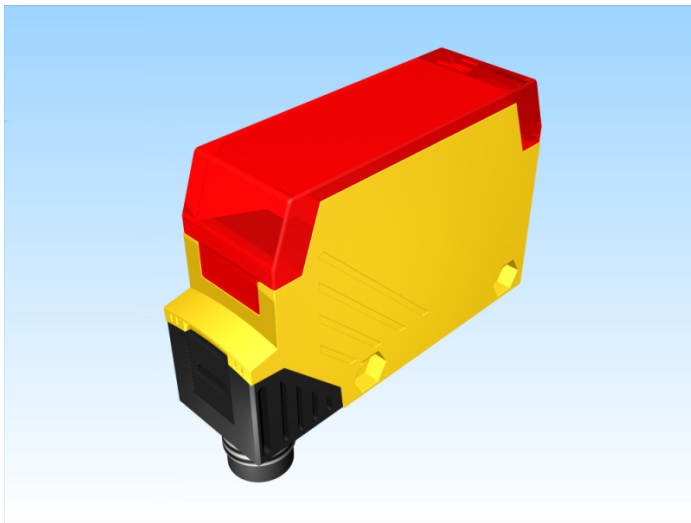


[Article Page](#)

Product Description


reflex light barrier



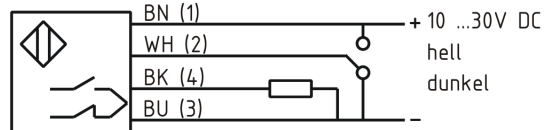
Name
Order number
Switch type

Signal Type
Illuminant
Connection
Connection diagramm

KORP13M-Q64KB-DPU-V1-RT
08362215005

 Switchable
PNP
● Red light 650 nm
connector M8

Dimension (in mm)
Technical Specification
Signal type
Operating voltage
Max. load current
No load current
Switching frequency
Operating temperature
Switching state
Measuring range
Sensitivity adjustable
Short-circuit proof
Overload protection
Reverse voltage protection
Protection category
EMC-level
Housing material
Termination



Q 20 x 60 x 43

Polarized retroreflective sensor
10 - 30 V DC
100 mA
< 35 mA
700 Hz
-25 ° C to 55 ° C
LED
13 m
ja
yes
yes
yes
IP67
DIN EN 60947-5-2:2008
Plastic
Connector M8 4pol

Errors and omissions exceptet