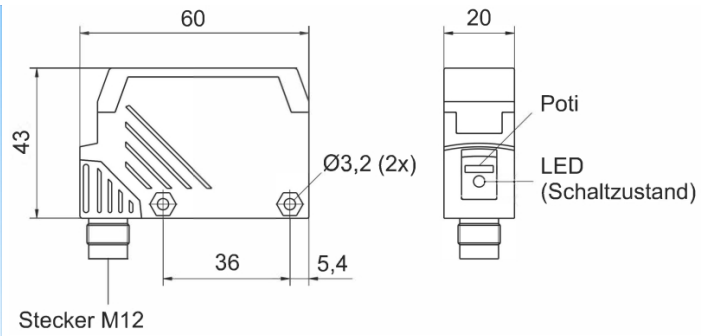
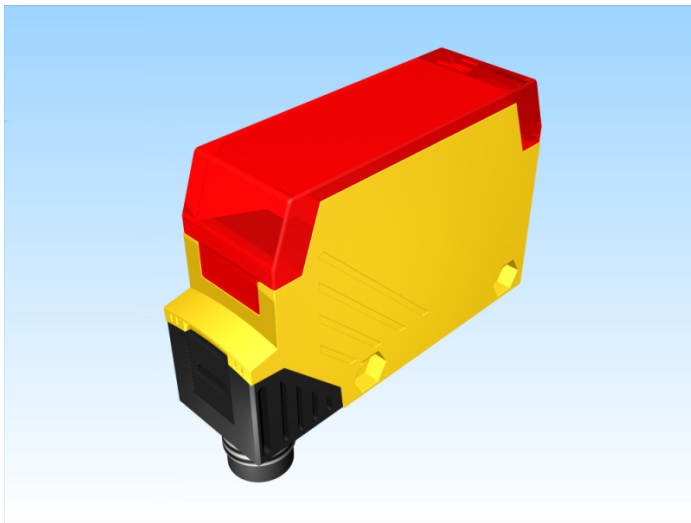


[Article Page](#)

Product Description

reflex light barrier



Name

KORP13M-Q64KB-DPU-V2-RT

Order number

08362215008

Switch type



Signal Type

PNP

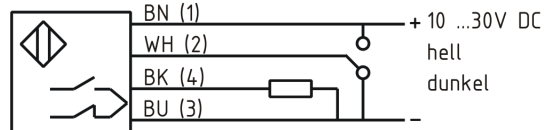
Illuminant

● Red light 650 nm

Connection

connector M12

Connection diagramm



Dimension (in mm)

Q 20 x 60 x 43

Technical Specification

Signal type

Polarized retroreflective sensor

Operating voltage

10 - 30 V DC

Max. load current

100 mA

No load current

< 35 mA

Switching frequency

700 Hz

Operating temperature

-25 ° C to 55 ° C

Switching state

LED

Measuring range

13 m

Sensitivity adjustable

ja

Short-circuit proof

yes

Overload protection

yes

Reverse voltage protection

yes

Protection category

IP67

EMC-level

DIN EN 60947-5-2:2008

Housing material

Plastic

Termination

Connector M12 4pol

Errors and omissions exceptet