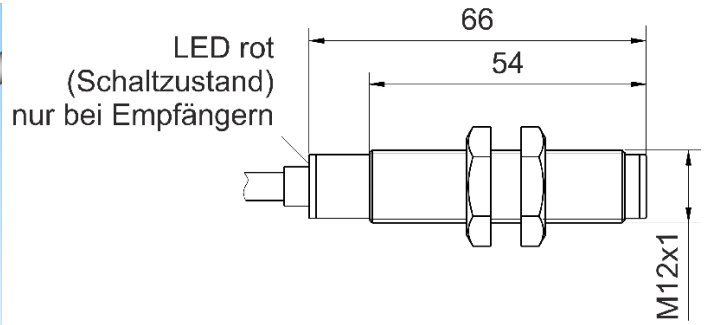
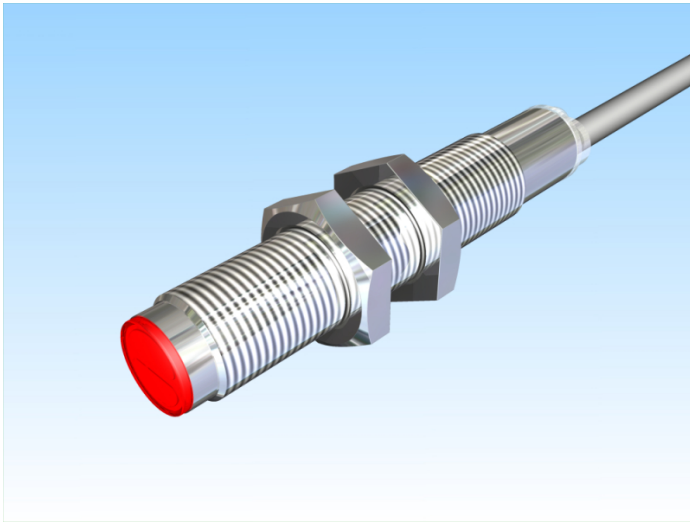


[Article Page](#)

Product Description

reflex light barrier



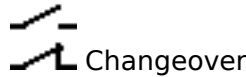
Name

KORS2000-M12MB64-DPA-IR

Order number

08362245159

Switch type



Signal Type

PNP

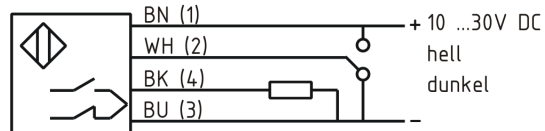
Illuminant

IR Infrared light 880 nm

Connection



Connection diagramm



M12 x 64

Dimension (in mm)

Technical Specification

Signal type

Retroreflective sensor

Operating voltage

10 - 30 V DC

Max. load current

150 mA

No load current

< 30 mA

Switching frequency

500 Hz

Operating temperature

-25 ° C to 70 ° C

Switching state

LED

Measuring range

2 m

Short-circuit proof

yes

Overload protection

yes

Reverse voltage protection

yes

Protection category

IP67

EMC-level

DIN EN 60947-5-2:2008

Termination

2m PVC 4x0,14mm²

Errors and omissions exceptet