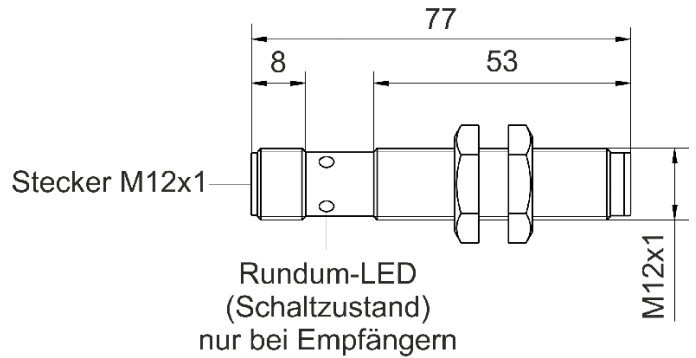
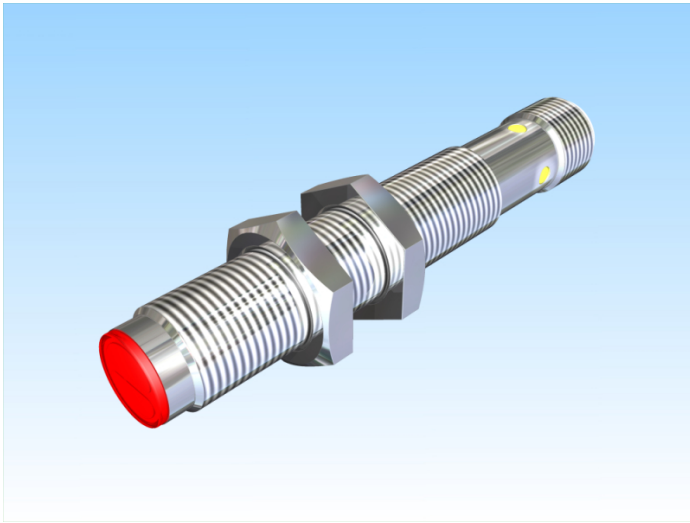


[Article Page](#)

Product Description

reflex light probe



Name
Order number
Switching distance
Switch type

KORT200-M12MB73-DNA-V2-IR
08361245126
from 200 mm to 200 mm



Changeover

NPN

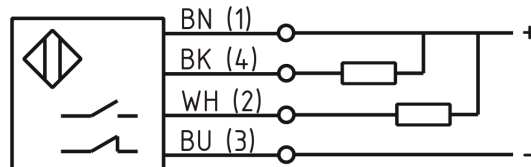
IR Infrared light 880 nm

Signal Type
Illuminant
Connection



Connector

Connection diagramm



M12 x 75

Dimension (in mm)
Technical Specification
Signal type
Operating voltage
Max. load current
No load current
Switching frequency
Operating temperature
Switching state
Short-circuit proof
Overload protection
Reverse voltage protection
Protection category
EMC-level
Termination

Diffuse mode sensor

10 - 30 V DC

150 mA

< 30 mA

500 Hz

-25 ° C to 70 ° C

LED

yes

yes

yes

IP67

DIN EN 60947-5-2:2008

Connector M12 4pol

Errors and omissions exceptet