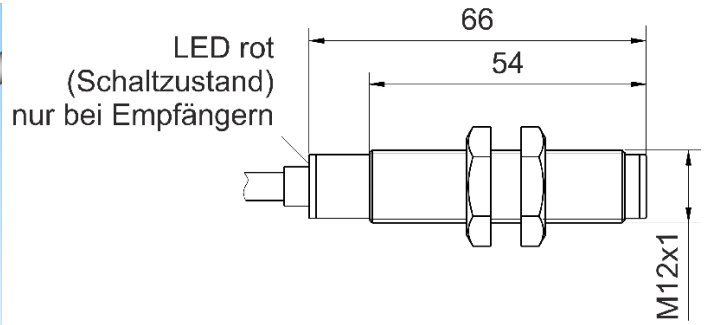
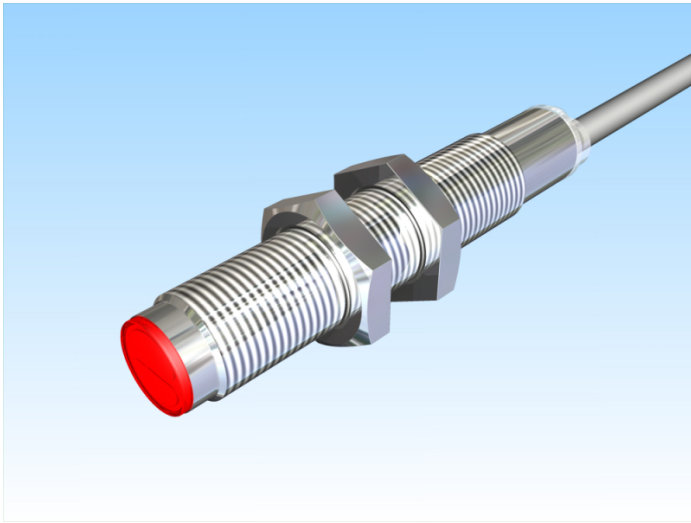


[Article Page](#)

Product Description

reflex light probe



Name  
Order number  
Switching distance  
Switch type

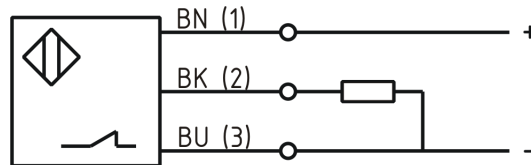
KORT400-M12MB64-DPÖ-IR  
08361245223  
from 400 mm to 400 mm

Signal Type  
Illuminant  
Connection

N.C.  
PNP  
 Infrared light 880 nm

Connection diagramm

Cable



Dimension (in mm)  
Technical Specification  
Signal type  
Operating voltage  
Max. load current  
No load current  
Switching frequency  
Operating temperature  
Switching state  
Sensitivity adjustable  
Short-circuit proof  
Overload protection  
Reverse voltage protection  
Protection category  
EMC-level  
Termination

M12 x 64  
Diffuse mode sensor  
10 - 30 V DC  
150 mA  
< 30 mA  
200 Hz  
-25 ° C to 70 ° C  
LED  
ja  
yes  
yes  
yes  
IP67  
DIN EN 60947-5-2:2008  
2m PVC 4x0,14mm<sup>2</sup>

**Errors and omissions exceptet**