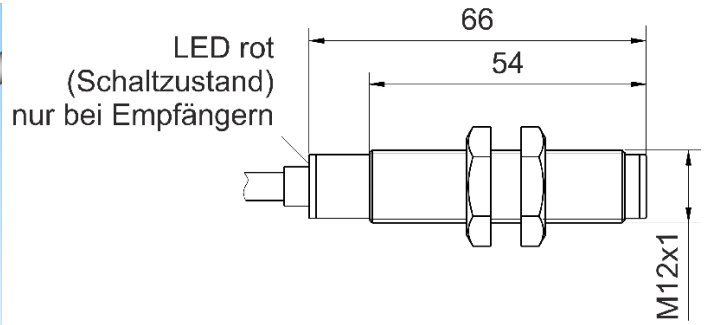
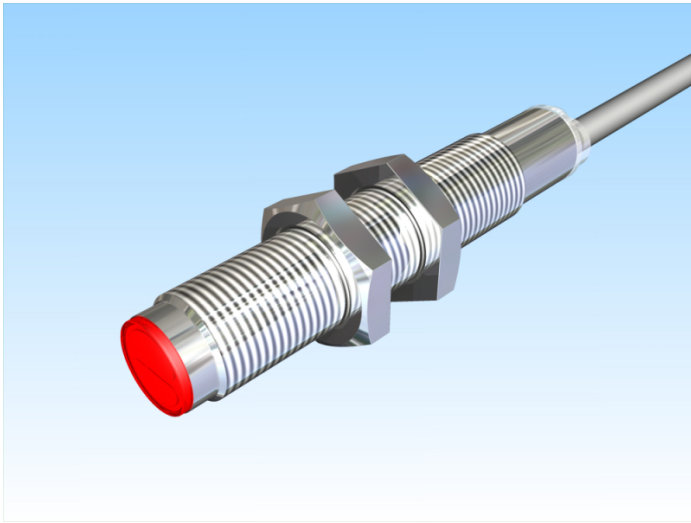


[Article Page](#)

Product Description

reflex light probe



Name
Order number
Switching distance
Switch type

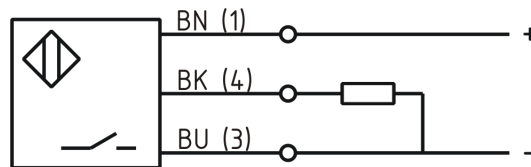
KORT400-M12MB64-DPS-IR
08361245323
from 400 mm to 400 mm

Signal Type
Illuminant
Connection

N.O.
PNP
 Infrared light 880 nm

Connection diagramm

Cable



M12 x 64

Dimension (in mm)
Technical Specification
Signal type
Operating voltage
Max. load current
No load current
Switching frequency
Operating temperature
Switching state
Sensitivity adjustable
Short-circuit proof
Overload protection
Reverse voltage protection
Protection category
EMC-level
Termination

Diffuse mode sensor
10 - 30 V DC
150 mA
< 30 mA
200 Hz
-25 ° C to 70 ° C
LED
ja
yes
yes
yes
IP67
DIN EN 60947-5-2:2008
2m PVC 4x0,14mm²

Errors and omissions exceptet