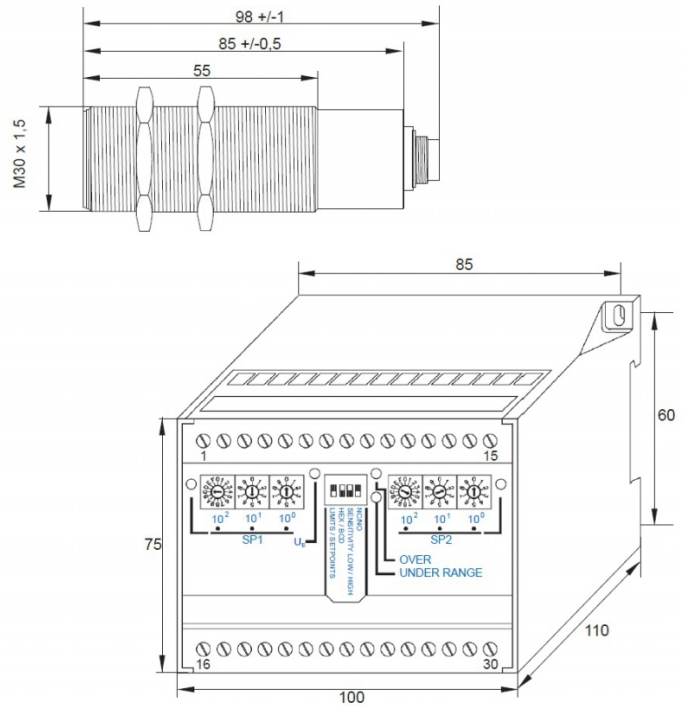


[Article Page](#)

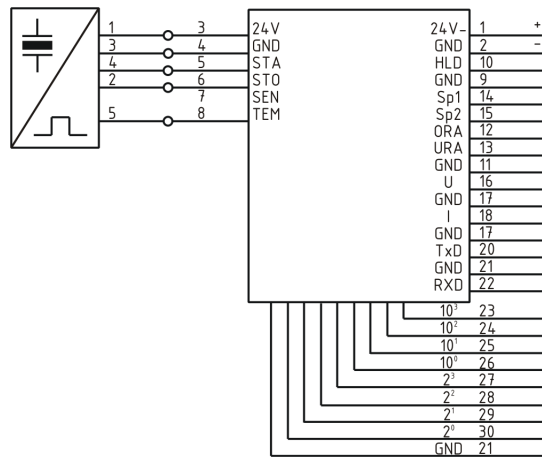
Product Description

ultrasonic sensor



Name
 Order number
 Matchcode
 art_schaltabstand_einstellbar
 Signal Type
 Connection
 Connection diagramm

KURT1500-M30EB100-ANA-DPS-RS
 08401007300
 8100-7300
 yes
 PNP/ 0 ... 10 V/ 4 ... 20 mA
 Terminal



Technical Specification
 Signal type
 Operating voltage
 Max. load current
 No load current
 Switching frequency
 Switching hysteresis
 Repeat accuracy
 Linearity
 Operating state
 art_schnittstelle
 Analog output
 Time delay

Taster
 19 - 30 VDC
 100 mA
 ≤ 50 mA
 8 Hz
 programmierbar
 0,2% / +/- 1 mm
 0,3%
 LED
 RS232
 Pulso_has1
 300 ms



KURT1500-M30EB100-ANA-DPS-RS

Pulsotronic GmbH & Co. KG Neue Schichtstraße 14b 09366 Niederdorf Deutschland +49 (0)37296 930-200

Carrier frequency	220 kHz
Sound beam	ca. 10°
Pulse rate of rise	programmierbar
Measuring range	15-150 cm
Short-circuit proof	yes
Overload protection	yes
Reverse voltage protection	yes
EMC-level	DIN EN 60947-5-7:2004-06

Errors and omissions excepted