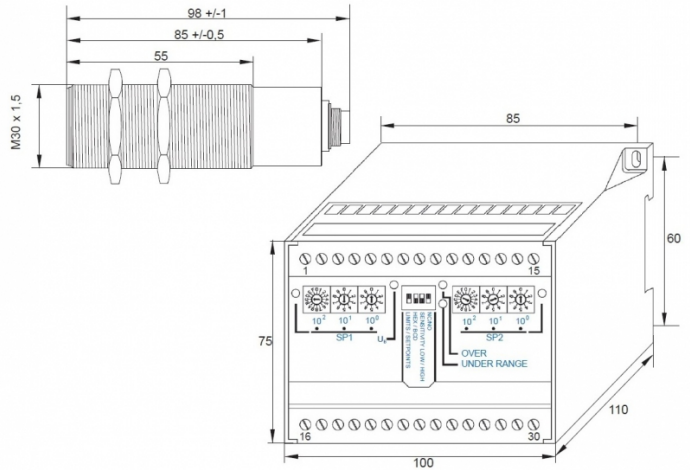


[Article Page](#)

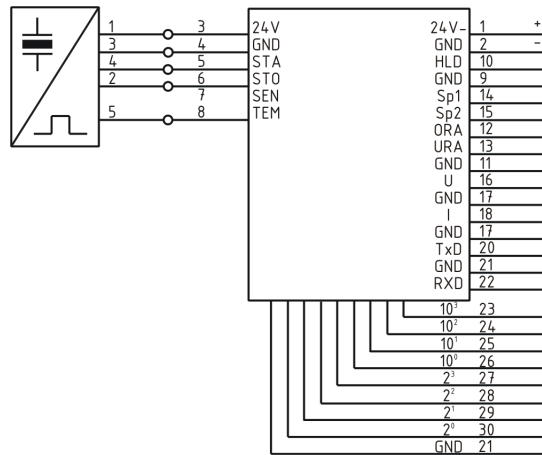
Product Description

ultrasonic sensor



Name
 Order number
 Matchcode
 art_schaltabstand_einstellbar
 Signal Type
 Connection
 Connection diagram

KURT4000-M30EB100-ANA-DPS-RS
 08401007000
 8100-7000
 yes
 PNP/ 0 ... 10 V/ 4 ... 20 mA
 Terminal



Technical Specification
 Signal type
 Operating voltage
 Max. load current
 No load current
 Switching hysteresis
 Repeat accuracy
 Linearity
 Operating state
 art_schnittstelle
 Analog output
 Time delay
 Carrier frequency
 Sound beam
 Pulse rate of rise
 Measuring range
 Short-circuit proof
 Overload protection

Background suppression sensor
 19 - 30 VDC
 100 mA
 ≤ 50 mA
 programmierbar
 0,2% / +/- 1 mm
 0,3% +/-2mm
 LED
 RS232
 Pulso_has1
 600 ms
 130 kHz
 ca. 8°
 programmierbar
 40-400 cm
 yes
 yes



KURT4000-M30EB100-ANA-DPS-RS

Pulsotronic GmbH & Co. KG Neue Schichtstraße 14b 09366 Niederdorf Deutschland +49 (0)37296 930-200

Reverse voltage protection
EMC-level

yes
DIN EN 60947-5-7:2004-06

Errors and omissions exceptet