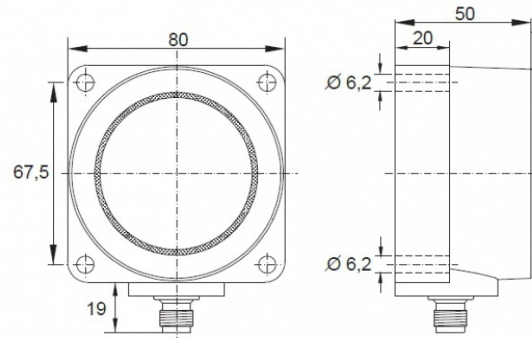


[Article Page](#)

Product Description

ultrasonic sensor



Name

KURT5000-Q80KB50-ANU-V2


Order number

08409861290

Matchcode

9986-1290

Switch type

 analog

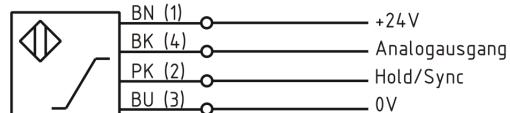
Analog Voltage

Signal Type

Connection

 Connector

Connection diagramm



Analog/Sync

Q 80 x 50 x 80

Dimension (in mm)

Technical Specification

Signal type

Taster

Operating voltage

19,2 - 28,8 VDC

No load current

40 mA

Operating temperature

-15 ° C to 70 ° C

Repeat accuracy

0,2 %

Linearity

0,5 %

Analog output

Pulso_has10-10V

Time delay

400 ms

Carrier frequency

80 kHz

Sound beam

ca. 10°

Pulse rate of rise

fix

Measuring range

50-500 cm

Overload protection

yes

Reverse voltage protection

yes

Protection category

IP67

EMC-level

DIN EN 60947-5-7:2004-06

Housing material

Plastic

Termination

Connector M12 4pol

Inhibit

Pink -> 0V

Synchronisation

Pink -> Pin2

Enable

Pink not connected

Errors and omissions exceptet

