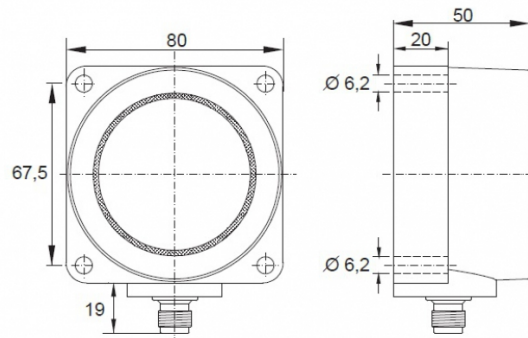


[Article Page](#)

Product Description

ultrasonic sensor



Name

KURT6000-Q80KB50-ANU-V2


Order number

08400830463

Matchcode

9983-0463

Switch type

 analog

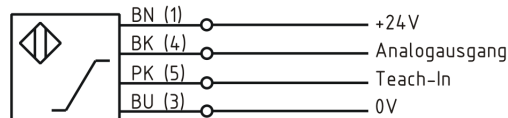
Analog Voltage

Signal Type

Connection

 Connector

Connection diagramm



Q 80 x 50 x 80

Dimension (in mm)

Technical Specification

Signal type

Taster

Operating voltage

15 - 30 VDC

No load current

< 35 mA

Operating temperature

-15 ° C to 70 ° C

Repeat accuracy

+/- 0,2% / +/- 2 mm

Linearity

0,3 %

Operating state

LED

Analog output

Pulso_has10-10V

Time delay

700 ms

Carrier frequency

80 kHz

Sound beam

ca. 8°

Pulse rate of rise

teach in

Measuring range

60-600 cm

Short-circuit proof

yes

Overload protection

yes

Reverse voltage protection

yes

Protection category

IP67

EMC-level

DIN EN 60947-5-7:2004-06

Housing material

Plastic

Termination

Connector M12 5pol

Errors and omissions exceptet