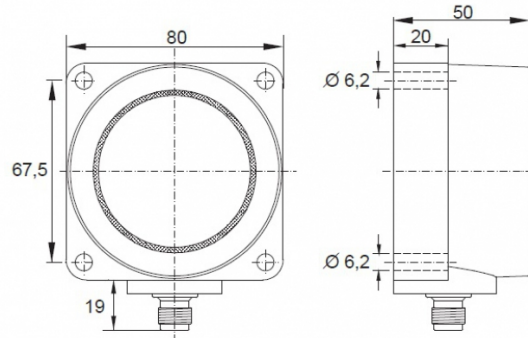


[Article Page](#)

Product Description

ultrasonic sensor



Name
Order number
Matchcode
art_schaltabstand_einstellbar
Switch type

KURT6000-Q80KB50-DPSS-V2
08400832463
9983-2463
yes



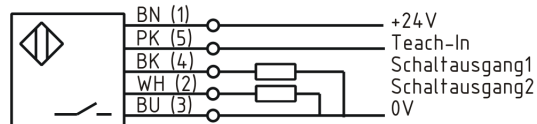
Switchable
DC PNP

Signal Type
Connection



Connector

Connection diagramm



Q 80 x 50 x 80

Dimension (in mm)
Technical Specification
Signal type
Operating voltage
Max. load current
No load current
Switching frequency
Operating temperature
Operating state
Switching state
Carrier frequency
Sound beam
Measuring range
Short-circuit proof
Overload protection
Reverse voltage protection
Protection category
EMC-level
Housing material
Termination

Taster
15 - 30 VDC
500 mA
< 35 mA
0,5 Hz
-15 ° C to 70 ° C
LED
LED
80 kHz
ca. 8°
60-600 cm
yes
yes
yes
IP67
DIN EN 60947-5-2:2008
Plastic
Connector M12 5pol

Errors and omissions exceptet