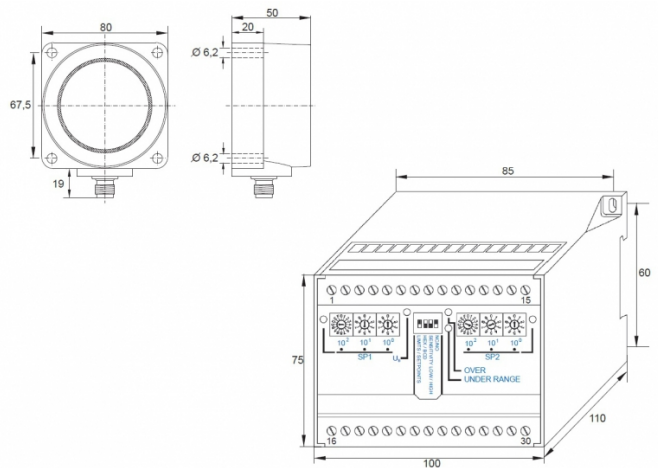


[Article Page](#)

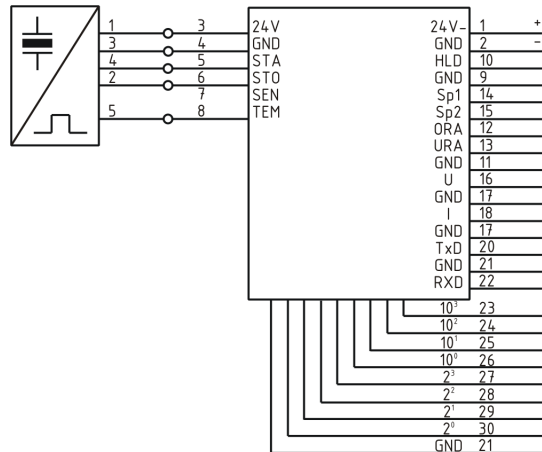
Product Description

ultrasonic sensor



Name
Order number
Matchcode
art_schaltabstand_einstellbar
Signal Type
Connection
Connection diagramm

KURT8000-Q80KB40-ANA-DPS-RS
08401007470
8100-7470
yes
PNP/ 0 ... 10 V/ 4 ... 20 mA
Terminal



Technical Specification
Signal type
Operating voltage
Max. load current
Switching frequency
Switching hysteresis
Repeat accuracy
Linearity
Operating state
art_schnittstelle
Time delay
Carrier frequency
Sound beam
Pulse rate of rise
Measuring range
Short-circuit proof
Overload protection
Reverse voltage protection
EMC-level

Taster
19 - 30 VDC
100 mA
8 Hz
programmierbar
0,2% / +/- 1 mm
0,3% +/-2mm
LED
RS232
600 ms
65 kHz
ca. 30°
programmierbar
80-800 cm
yes
yes
yes
DIN EN 60947-5-7:2004-06

Errors and omissions exceptet