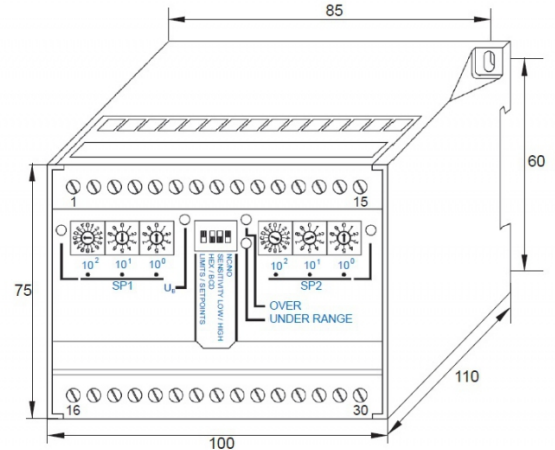
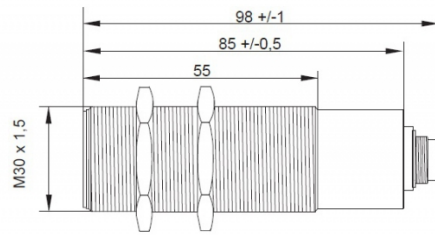


[Article Page](#)

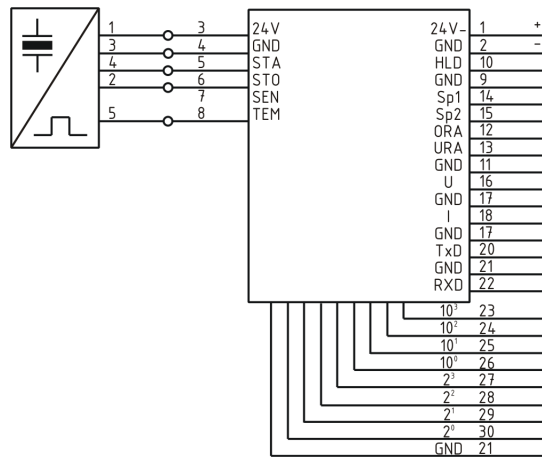
Product Description

ultrasonic sensor



Name  
 Order number  
 Matchcode  
 art\_schaltabstand\_einstellbar  
 Signal Type  
 Connection  
 Connection diagramm

KURT900-M30EB100-ANA-DPS-RS  
 08401007400  
 8100-7400  
 yes  
 PNP/ 0 ... 10 V/ 4 ... 20 mA  
 Terminal



Technical Specification  
 Signal type  
 Operating voltage  
 Max. load current  
 No load current  
 Switching frequency  
 Switching hysteresis  
 Repeat accuracy  
 Linearity  
 Operating state  
 art\_schnittstelle  
 Time delay  
 Carrier frequency

Taster  
 19 - 30 VDC  
 100 mA  
 ≤ 50 mA  
 30 Hz  
 programmierbar  
 0,2% / +/- 1 mm  
 0,3% +/- 2mm  
 LED  
 RS232  
 120 ms  
 300 kHz



## KURT900-M30EB100-ANA-DPS-RS

Pulsotronic GmbH & Co. KG Neue Schichtstraße 14b 09366 Niederdorf Deutschland +49 (0)37296 930-200

Sound beam	ca. 8°
Pulse rate of rise	programmierbar
Measuring range	10-90 cm
Short-circuit proof	yes
Overload protection	yes
Reverse voltage protection	yes
EMC-level	DIN EN 60947-5-7:2004-06

**Errors and omissions excepted**