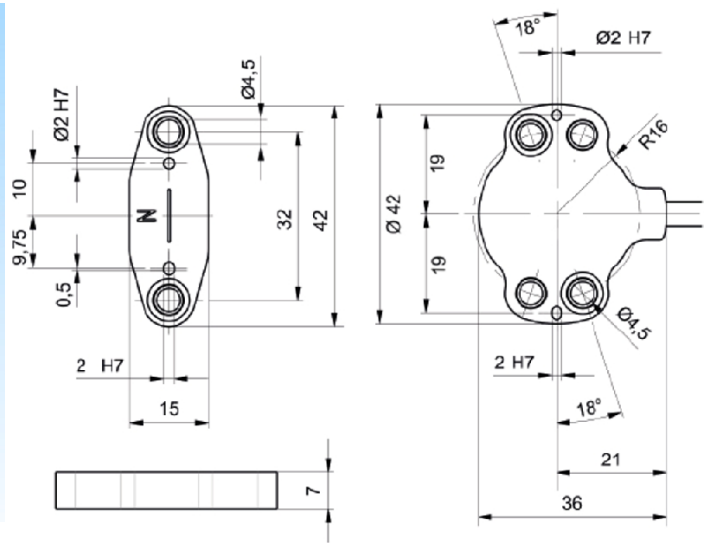
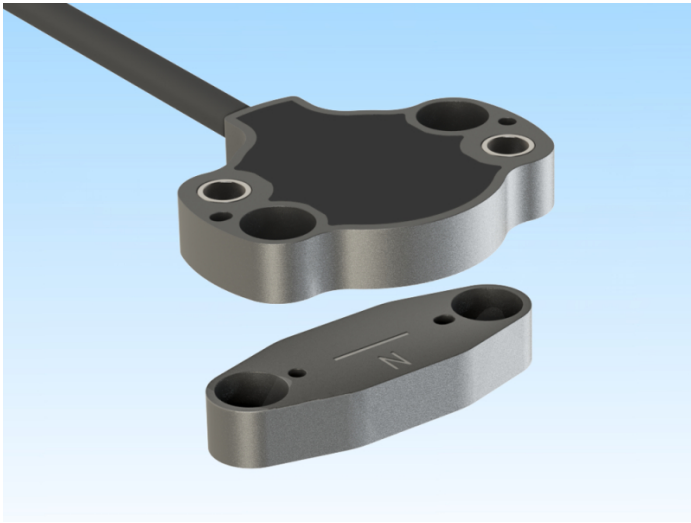


[Article Page](#)

Product Description

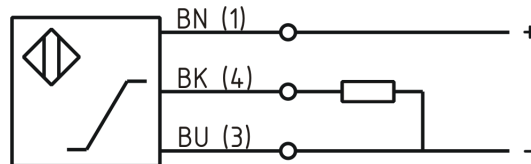
angle sensor



Name  
Order number  
Switching distance  
Mounting  
  
Switch type  
  
Connection  
Connection diagramm

KW360-D42KN7-ANI-X0392  
08330001135  
6 mm

non shielded  
 analog current  
connector M12



D 42 x 7

Dimension (in mm)  
Technical Specification  
Special features  
Operating voltage  
Max. ripple  
Voltage drop  
Max. load current  
No load current  
Operating temperature  
Temperature drift  
Linearity  
Analog output  
Time delay  
Resolution  
Inclination angle  
Output current  
Short-circuit proof  
Overload protection  
Reverse voltage protection  
Protection category  
EMC-level  
Housing material  
Number of terminals  
Cable length

Supply with Target-Magnet NdFeB 55/100 42x7  
10 - 30 V DC  
≤ 10 %  
1 V  
35 mA  
≤ 15 mA  
-40 ° C to 85 ° C  
+/- 0,5 %  
± 1,5 % (bei Ta = 25°C)  
Pulso\_has1  
15 ms  
12 Bit DAC über den gesamten Winkelbereich  
360°  
4 ... 20 mA  
yes  
yes  
yes  
IP67  
DIN EN 60947-5-2:2008  
PA 6.6  
3  
300 mm



## **KW360-D42KN7-ANI-X0392**

Pulsotronic GmbH & Co. KG Neue Schichtstraße 14b 09366 Niederdorf Deutschland +49 (0)37296 930-200

Utilisation category	DC 13
Cable material	PUR
Cable cross	3x0.34
Termination	M12-pigtail 300mm

**Errors and omissions exceptet**