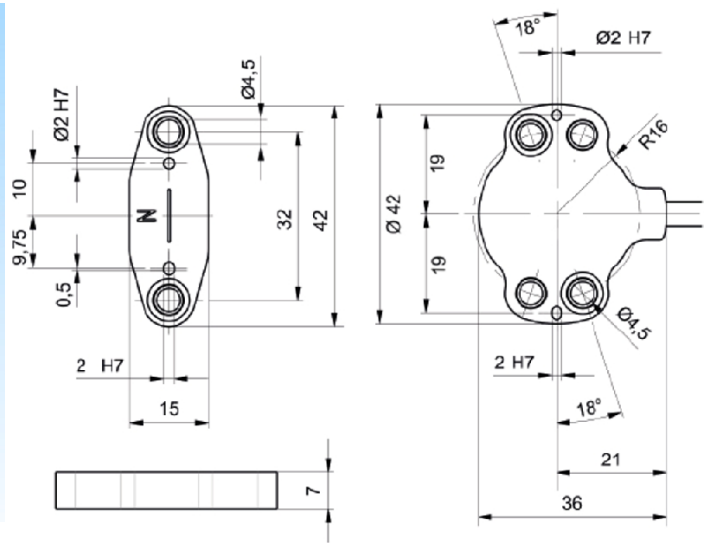
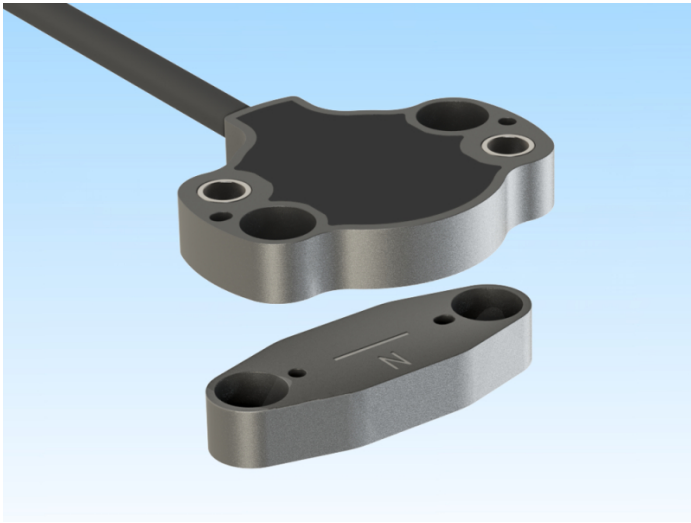


[Article Page](#)

Product Description

angle sensor





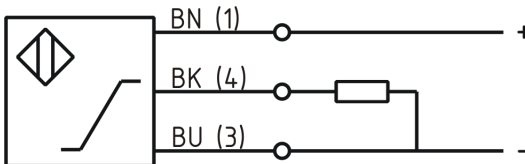
Name
Order number
Switching distance
Mounting

Switch type

Connection
Connection diagramm

KW360-D42KN7-ANU5
08330001132
6 mm

 non shielded
 analog voltage
Cable 2m



D 42 x 7

Dimension (in mm)
Technical Specification
Special features
Operating voltage
Max. ripple
Voltage drop
Max. load current
No load current
Operating temperature
Temperature drift
Linearity
Analog output
Time delay
Resolution
Output voltage
Short-circuit proof
Overload protection
Reverse voltage protection
Protection category
EMC-level
Housing material
Number of terminals
Cable length
Utilisation category

Supply with Target Magnet NdFeB 55/100pw 42x7
10 - 30 V DC
≤ 10 %
1 V
35 mA
≤ 15 mA
-40 ° C to 85 ° C
+/- 0,5 %
± 1,5 % (bei Ta = 25°C)
Pulso_has1
15 ms
12 Bit DAC über den gesamten Winkelbereich
0,5 ... 4,5 V
yes
yes
yes
IP67
DIN EN 60947-5-2:2008
PA 6.6
3
2000 mm
DC 13



KW360-D42KN7-ANU5

Pulsotronic GmbH & Co. KG Neue Schichtstraße 14b 09366 Niederdorf Deutschland +49 (0)37296 930-200

Cable material
Cable cross

PUR
3x0.34

Errors and omissions exceptet