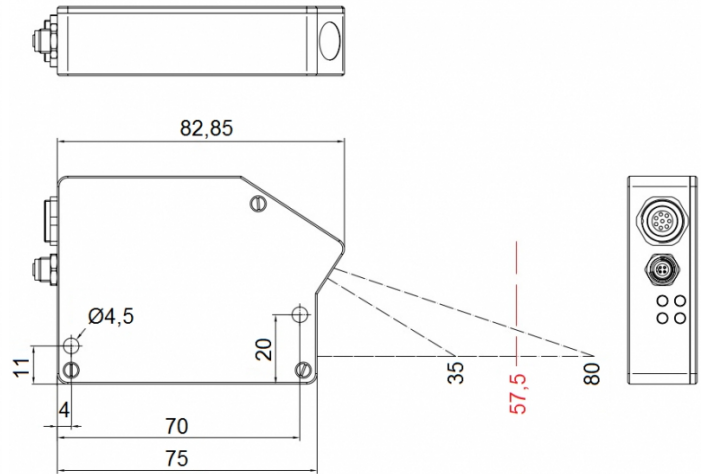
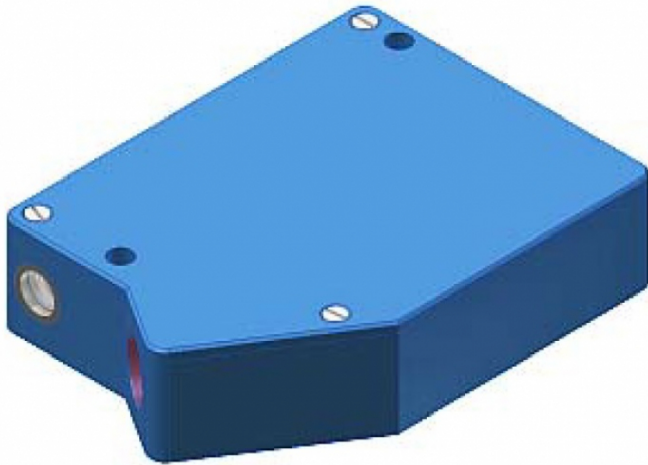


[Article Page](#)

Product Description

distance sensor



Name
Order number
Switching distance
Switch type

L-LAS-LT-50-CL
08377066050
from 35 mm to 80 mm

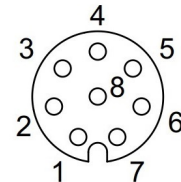
analog/digital
PNP/NPN; 0 ... 10V
 Laser 670 nm

Signal Type
Illuminant
Connection

Socket

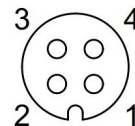
Polschema

SPS
Binder 712, 8 pol.



- 1 wh GND (0V)
- 2 bn +15 ... + 30 V DC
- 3 gn IN 0 (EXT TRIGGER)
- 4 ye IN 1 (TEACH RESET)
- 5 gy OUT 0 (-)
- 6 pk OUT 1 (+)
- 7 bu GND (0V)
- 8 rd OUT ANA (0 ... 10 V)

PC
Binder 707, 4 pol.



- 1 +24V DC
- 2 GND (0V)
- 3 RxD
- 4 TxD

Technical Specification
Special features
Operating voltage
Max. load current
No load current

Lasertriangulation with CCD-line detektor
15 - 30 V DC
100 mA
≤ 200 mA



L-LAS-LT-50-CL

Pulsotronic GmbH & Co. KG Neue Schichtstraße 14b 09366 Niederdorf Deutschland +49 (0)37296 930-200

Switching frequency	500 Hz
Operating temperature	-10 ° C to 50 ° C
Repeat accuracy	+/- 25 µm
Sensitivity adjustable	via PC
Working range	from 35 to 80 mm
Housing material	Aluminum

Errors and omissions excepted