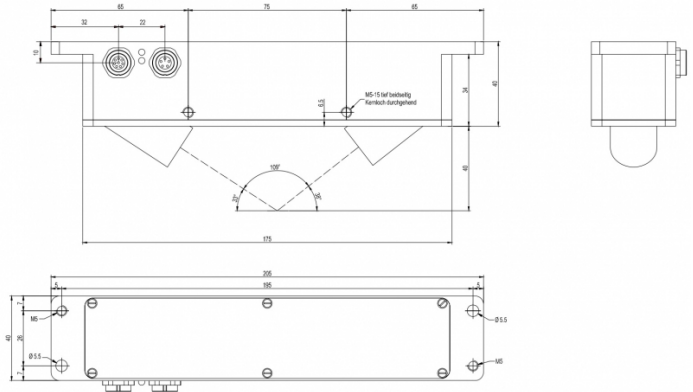
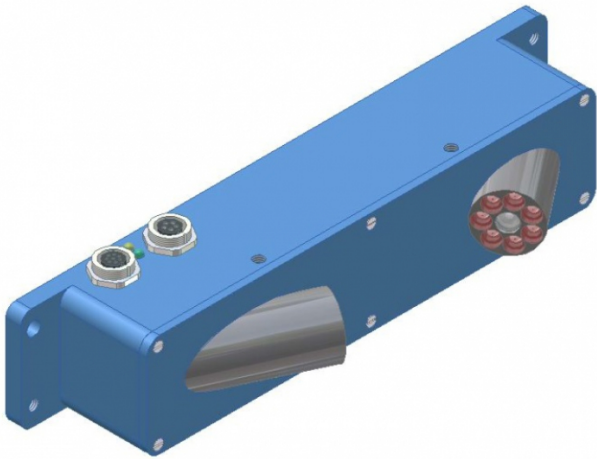


[Article Page](#)

Product Description



laser copy counter




Name
Order number
Switching distance
Switch type

LCC-40
08398409140
from 35 mm to 45 mm

Signal Type
Illuminant
Connection

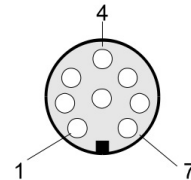
 digital
DC push-pull
 Laser 670 nm

Polschema

 Socket

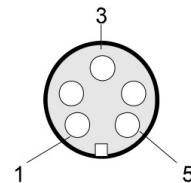
SPS:

Binder 712, 8 pol.



PC:

Binder 712, 5 pol.



Dimension (in mm)
Technical Specification
Special features
Operating voltage
Max. load current
No load current
Switching frequency
Operating temperature
Operating state
Switching state
Laser power adjustable
Impulse delay
Comparator level adjustable
Sensitivity adjustable

Q 40 x 40 x 205
Interface RS232
12 - 30 V DC
100 mA
≤ 150 mA
15 kHz
-20 ° C to 50 ° C
LED
LED
via PC
via PC
via PC
via PC

Short-circuit proof	yes
Overload protection	yes
Reverse voltage protection	yes
Protection category	IP54
EMC-level	DIN EN 60947-5-2
Housing material	Aluminum
Connection to PLC: 8-pole fem. connector Binder Ser. 712	Pin, Color, Assignment: 1, White, GND (0V) / 2, brown, +24VDC ($\pm 10\%$) / 3, green, IN0 / 4, yellow, IN1 / 5, Grey, OUT0 / 6, pink, OUT1 / 7, blue, n.c. / 8, red, n.c.
Connection to PC: 5-pole fem. connector Binder Ser. 712	Pin, Assignment: 1, GND (0V) / 2, TxD / 3, RxD / 4, +24V (+Ub, OUT) / 5, not connected /
Laser class	laser class 2 acc. to DIN EN 60825, 1 mW max. opt. power
Max. product stream	typ. 500 000 copies/h
Min. height of object	typ. 0.1 mm

Errors and omissions exceptet