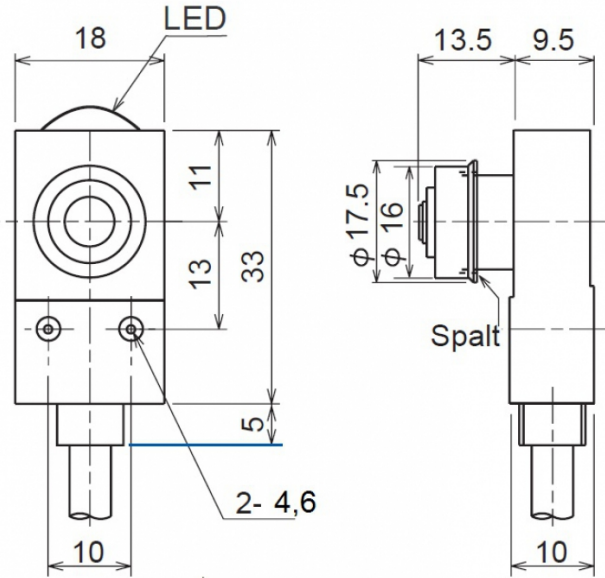


[Article Page](#)

Product Description


Touch Sensor

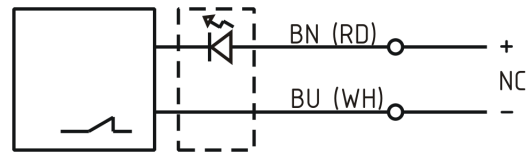


Name  
Order number  
Switch type

P11DDB-DULD  
08430221002

Signal Type  
Connection  
Connection diagramm

 N.C.  
mechanical contact  
Cable 3m



Dimension (in mm)  
art\_gewicht  
Technical Specification  
Operating voltage  
Max. load current  
Switching hysteresis  
Operating temperature  
Temperature drift  
Repeat accuracy

Q 18 x 23 x 33  
105 g  
5 - 24 V DC  
10 mA  
0  
0 ° C to 80 ° C  
0  
0,001 mm (at operating speed 50 ... 200 mm/  
min)

Switching state  
Stroke  
Pre-travel  
Accuracy  
Probe tip  
Probe tip material  
Operation load  
art\_ttl\_mech  
Protection category  
Wiring  
Termination  
Approach direction

LED  
3 mm  
0 mm  
0,0005 mm  
Fläche 5  
Wolframkarbid  
1 N  
3 Mio. operating cycles  
IP67  
Zweidraht/ Two wire  
cable 3 m, 2 wire, Ø 5 mm, oil resistant  
axial



## P11DDB-DULD

Pulsotronic GmbH & Co. KG Neue Schichtstraße 14b 09366 Niederdorf Deutschland +49 (0)37296 930-200

**Errors and omissions excepted**