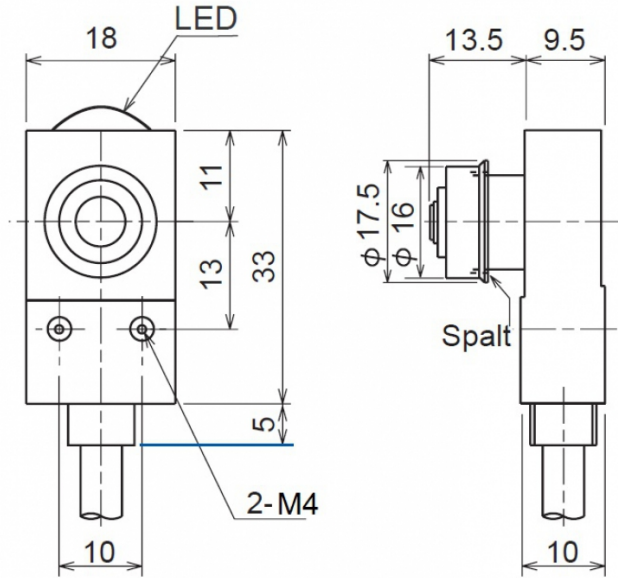


[Article Page](#)

Product Description


Touch Sensor

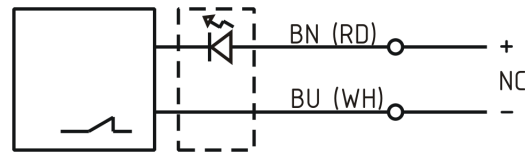


Name
Order number
Switch type

P11DMB-DULD
08430221001

Signal Type
Connection
Connection diagramm

 N.C.
mechanical contact
Cable 3m



Dimension (in mm)
art_gewicht
Technical Specification
Operating voltage
Max. load current
Switching hysteresis
Operating temperature
Temperature drift
Repeat accuracy

Q 18 x 23 x 33
105 g
5 - 24 V DC
10 mA
0
0 ° C to 80 ° C
0
0,001 mm (at operating speed 50 ... 200 mm/
min)

Switching state
Stroke
Pre-travel
Accuracy
Probe tip
Probe tip material
Operation load
art_ttl_mech
Protection category
Wiring
Termination
Approach direction

LED
3 mm
0 mm
0,001 mm
Fläche 5
Wolframkarbid
1 N
3 Mio. operating cycles
IP67
Zweidraht/ Two wire
cable 3 m, 2 wire, Ø 5 mm, oil resistant
axial



P11DMB-DULD

Pulsotronic GmbH & Co. KG Neue Schichtstraße 14b 09366 Niederdorf Deutschland +49 (0)37296 930-200

Errors and omissions excepted