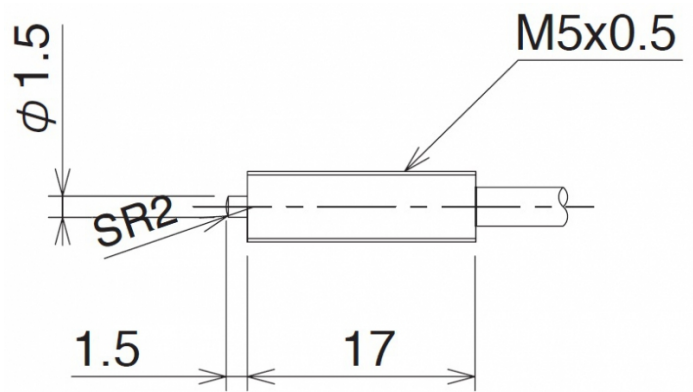


[Article Page](#)

Product Description


Touch Sensor

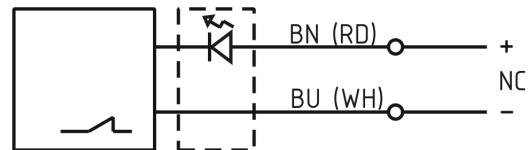


Name  
Order number  
Switch type

PT5M1CB-L  
08430271102

Signal Type  
Connection  
Connection diagramm

 N.C.  
mechanical contact  
Cable 2m



Dimension (in mm)  
art\_gewicht  
Technical Specification  
Operating voltage  
Max. load current  
Switching hysteresis  
Operating temperature  
Temperature drift  
Repeat accuracy

fine-pitch thread M5x0,5 x l = 18,5  
30 g  
  
5 - 24 V DC  
10 mA  
0  
0 ° C to 80 ° C  
0  
0,001 mm (at operating speed 50 ... 200 mm/  
min)

Switching state  
Stroke  
Pre-travel  
Accuracy  
Probe tip  
Probe tip material  
Operation load  
art\_ttl\_mech  
Protection category  
Wiring  
Housing material  
Termination  
Approach direction

LED  
1,5 mm  
0 mm  
0,001 mm  
Zylinder 1,5/R 2,0  
Edelstahl  
0,5 N  
3 millions cycles  
IP40  
Zweidraht/ Two wire  
Stainless steel V2A  
cable 2 m, 2 wire, Ø 2.8 mm, oil resistant  
axial

**Errors and omissions exceptet**