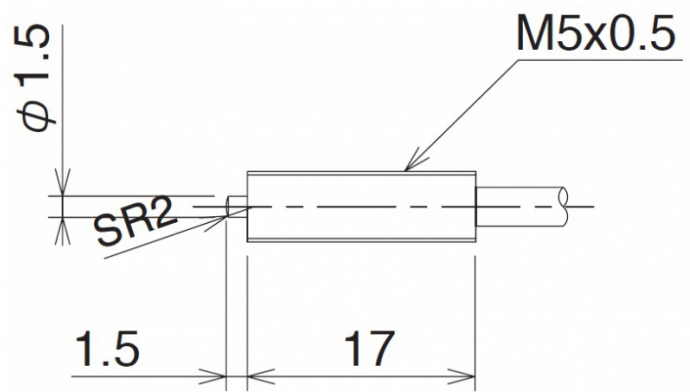



[Article Page](#)

Product Description

Touch Sensor



Name	PT5M1CB
Order number	08430271002
Switch type	 N.C. mechanical contact
Signal Type	Cable 2m
Connection	fine-pitch thread M5x0,5 x l = 18,5
Dimension (in mm)	36 g
art_gewicht	
Technical Specification	
Operating voltage	5 - 24 V DC
Max. load current	10 mA
Switching hysteresis	0
Operating temperature	0 ° C to 80 ° C
Temperature drift	0
Repeat accuracy	0,001 mm (at operating speed 50 ... 200 mm/min)
Stroke	1,5 mm
Pre-travel	0 mm
Accuracy	0,001 mm
Probe tip	Zylinder 1,5/R 2,0
Probe tip material	Edelstahl
Operation load	0,5 N
art_ttl_mech	3 Million cycles
Protection category	IP40
Wiring	Zweidraht/ Two wire
Housing material	Stainless steel V2A
Termination	2m cable 2 wire, Ø 2.8 mm, oil resistant
Approach direction	axial

Errors and omissions excepted