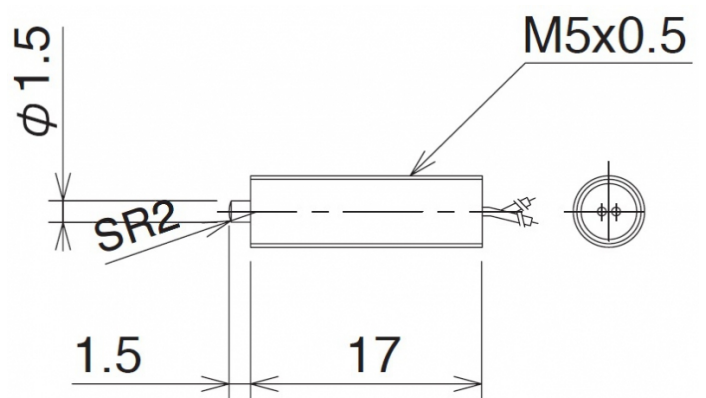


[Article Page](#)

Product Description



Touch Sensor



Name
Order number
Switch type

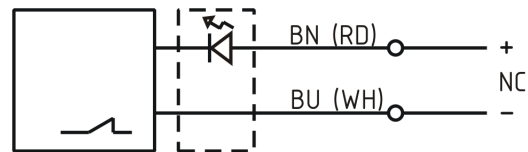
PT5M1WB-L
08430271100

Signal Type
Connection

N.C.
2-wire DC

Connection diagramm

Cable



fine-pitch thread M5x0,5 x l = 18,5

Dimension (in mm)
Technical Specification
Operating voltage
Max. load current
Switching hysteresis
Operating temperature
Temperature drift
Repeat accuracy

5 - 24 V DC
10 mA
0
0 ° C to 80 ° C
0
0,001 mm (at operating speed 50 ... 200 mm/
min)

Switching state
Stroke
Accuracy
Probe tip
Probe tip material
Operation load
art_ttl_mech
Protection category
Wiring
Housing material
Termination
Approach direction

LED
1,5 mm
0,001 mm
Zylinder 1,5/R 2,0
Edelstahl
0,5 N
3 millions cycles
IP40
Zweidraht/ Two wire
Stainless steel V2A
2 single wires 0.5 m, ϕ 0.6 mm, oil resistant
axial

Errors and omissions exceptet