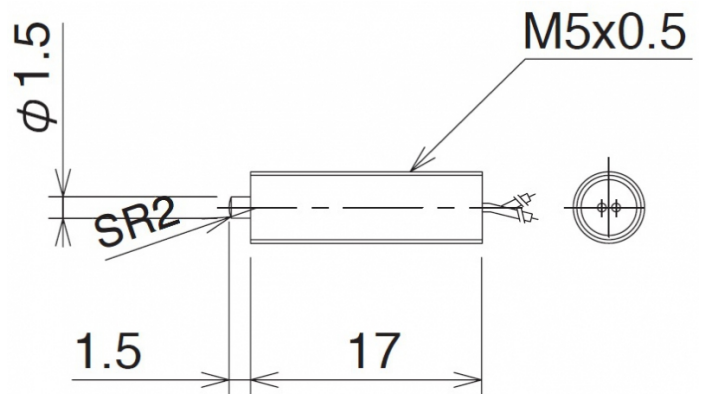


[Article Page](#)

Product Description


Touch Sensor



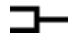
Name
Order number
Switch type

PT5M1WB
08430271000

Signal Type
Connection

 N.C.
mechanical contact

Dimension (in mm)
Technical Specification
Operating voltage
Max. load current
Switching hysteresis
Operating temperature
Temperature drift
Repeat accuracy

 Cable
fine-pitch thread $M5 \times 0,5 \times l = 18,5$

5 - 24 V DC
10 mA
0
0 ° C to 80 ° C
0
0,001 mm (at operating speed 50 ... 200 mm/
min)

Stroke
Pre-travel
Accuracy
Probe tip
Probe tip material
Operation load
art_ttl_mech
Protection category
Wiring
Housing material
Termination
Approach direction

1,5 mm
0 mm
0,001 mm
Zylinder 1,5/R 2,0
Edelstahl
0,5 N
3 millions cycles
IP40
Zweidraht/ Two wire
Stainless steel V2A
2 single wires 0.5 m, ϕ 0.6 mm, oil resistant
axial

Errors and omissions exceptet