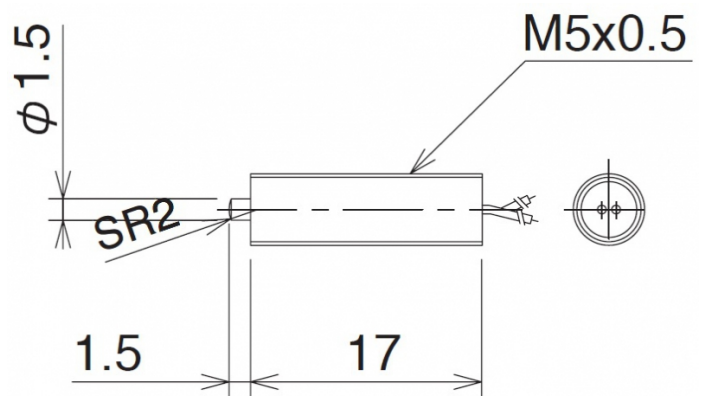





Touch Sensor



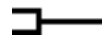
Name
Order number
Switch type

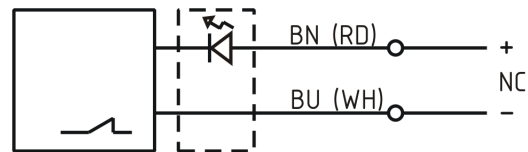
PT5M3WB-L
08430271110

Signal Type
Connection

 N.C.
mechanical contact

Connection diagramm

 Cable



Dimension (in mm)
art_gewicht
Technical Specification
Operating voltage
Max. load current
Switching hysteresis
Operating temperature
Temperature drift
Repeat accuracy

fine-pitch thread M5x0,5 x l = 18,5
30 g

Swiching state
Stroke
Pre-travel
Accuracy
Probe tip
Probe tip material
Operation load
art_ttl_mech
Protection category
Wiring
Housing material
Termination
(at operating speed 50 ... 200 mm/ min)

5 - 24 V DC
10 mA
0
0 ° C to 80 ° C
0
0,003 mm (at operating speed 50 ... 200 mm/
min)
LED
1,5 mm
0 mm
0,003 mm
Zylinder 1,5/R 2,0
Edelstahl
0,5 N
3 millions cycles
IP40
Zweidraht/ Two wire
Stainless steel V2A
2 single wires 0.5 m, Ø 0.6 mm, oil resistant
axial

Errors and omissions exceptet