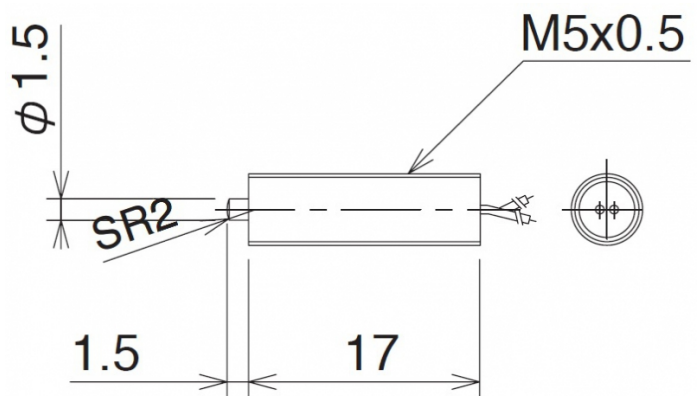




Touch Sensor



Name	PT5M3WB
Order number	08430271010
Switch type	 N.C. mechanical contact
Signal Type	 Cable
Connection	fine-pitch thread M5x0,5 x l = 18,5 30 g
Dimension (in mm)	5 - 24 V DC
art_gewicht	10 mA
Technical Specification	0
Operating voltage	0 ° C to 80 ° C
Max. load current	0
Switching hysteresis	0,003 mm (at operating speed 50 ... 200 mm/ min)
Operating temperature	1,5 mm
Temperature drift	0 mm
Repeat accuracy	0,003 mm
Stroke	0,003 mm
Pre-travel	Zylinder 1,5/R 2,0
Accuracy	Edelstahl
Probe tip	0,5 N
Probe tip material	3 Million cycles
Operation load	IP40
art_ttl_mech	Zweidraht/ Two wire
Protection category	Stainless steel V2A
Wiring	2 single wires 0.5 m, ϕ 0.6 mm, oil resistant
Housing material	axial
Termination	
Approach direction	

Errors and omissions exceptet