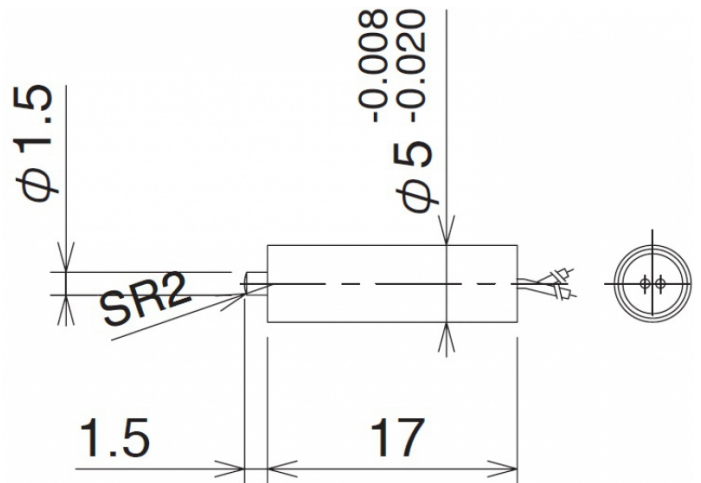


[Article Page](#)

Product Description

Touch Sensor



Name

PT5S1WB-L

Order number


08430271101

Switch type

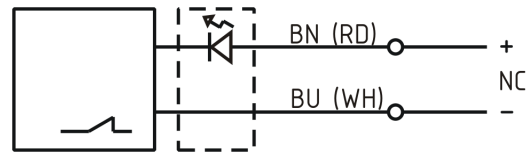
 N.C.
mechanical contact

Signal Type

Connection

 Cable

Connection diagramm



D 5 x l = 18,5

Dimension (in mm)

Technical Specification

Operating voltage

5 - 24 V DC

Max. load current

10 mA

Switching hysteresis

0

Operating temperature

0 ° C to 80 ° C

Temperature drift

0

Repeat accuracy

0,001 mm (at operating speed 50 ... 200 mm/min)

Switching state

LED

Stroke

1,5 mm

Pre-travel

0 mm

Accuracy

0,001 mm

Probe tip

Zylinder 1,5/R 2,0

Probe tip material

Edelstahl

Operation load

0,5 N

art_ttl_mech

3 millions cycles

Protection category

IP40

Wiring

Zweidraht/ Two wire

Housing material

Stainless steel V2A

Termination

2 single wires 0.5 m, Ø 0.6 mm, oil resistant

Approach direction

axial

Errors and omissions excepted