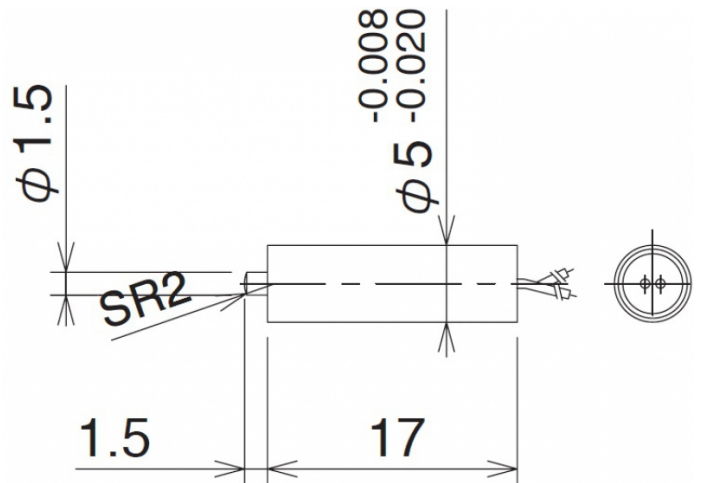


Touch Sensor




Name

PT5S1WB


Order number

08430271001

Switch type

 N.C.  
mechanical contact

Signal Type

 Cable  
fine-pitch thread D 5 x l = 18,5

Connection

Dimension (in mm)

Technical Specification

Operating voltage

5 - 24 V DC

Max. load current

10 mA

Switching hysteresis

0

Operating temperature

0 ° C to 80 ° C

Temperature drift

0

Repeat accuracy

0,001 mm (at operating speed 50 ... 200 mm/min)

Stroke

1,5 mm

Pre-travel

0 mm

Accuracy

0,001 mm

Probe tip

Zylinder 1,5/R 2,0

Probe tip material

Edelstahl

Operation load

0,5 N

art\_ttl\_mech

3 millions cycles

Protection category

IP40

Wiring

Zweidraht/ Two wire

Housing material

Stainless steel V2A

Termination

2 single wires 0.5 m, Ø 0.6 mm, oil resistant

Approach direction

axial

**Errors and omissions excepted**