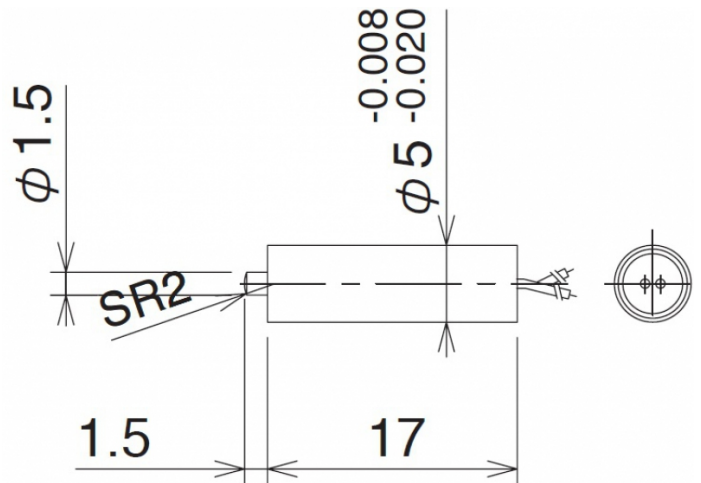


[Article Page](#)

Product Description


Touch Sensor




Name  
Order number  
Switch type

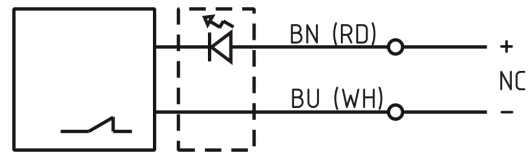
PT5S3WB-L  
08430271111

Signal Type  
Connection

 N.C.  
mechanical contact

Connection diagramm

 Cable



D 5 x l = 18,5

Dimension (in mm)  
Technical Specification  
Operating voltage  
Max. load current  
Switching hysteresis  
Operating temperature  
Temperature drift  
Repeat accuracy

5 - 24 V DC  
10 mA  
0  
0 ° C to 80 ° C  
0  
0,003 mm (at operating speed 50 ... 200 mm/  
min)

Switching state  
Stroke  
Pre-travel  
Accuracy  
Probe tip  
Probe tip material  
Operation load  
art\_ttl\_mech  
Protection category  
Wiring  
Housing material  
Termination  
Approach direction

LED  
1,5 mm  
0 mm  
0,003 mm  
Zylinder 1,5/R 2,0  
Edelstahl  
0,5 N  
3 millions cycles  
IP40  
Zweidraht/ Two wire  
Stainless steel V2A  
2 single wires 0.5 m, Ø 0.6 mm, oil resistant  
axial

**Errors and omissions exceptet**