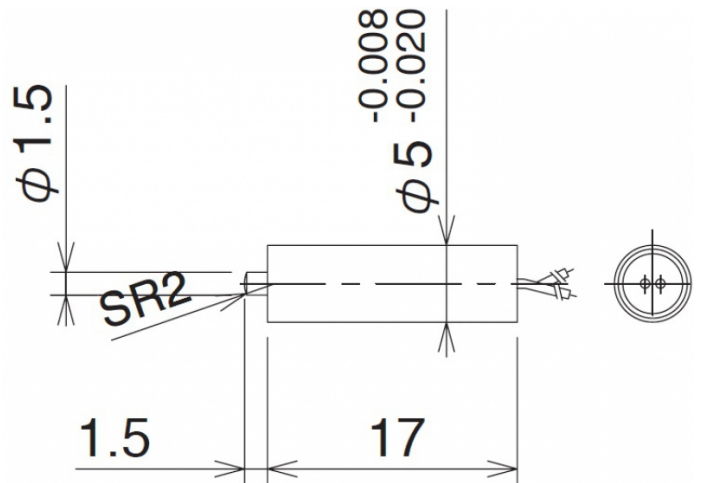


[Article Page](#)

Product Description

Touch Sensor




Name  
Order number  
Switch type

PT5S3WB  
08430271011

Signal Type  
Connection

 N.C.  
mechanical contact

Dimension (in mm)  
Technical Specification  
Operating voltage  
Max. load current  
Switching hysteresis  
Operating temperature  
Temperature drift  
Repeat accuracy

 Cable  
D 5 x l = 18,5  
5 - 24 V DC  
10 mA  
0  
0 ° C to 80 ° C  
0  
0,003 mm (at operating speed 50 ... 200 mm/  
min)

Stroke  
Pre-travel  
Accuracy  
Probe tip  
Probe tip material  
Operation load  
art\_ttl\_mech  
Protection category  
Wiring  
Housing material  
Termination  
Approach direction

1,5 mm  
0 mm  
0,003 mm  
Zylinder 1,5/R 2,0  
Edelstahl  
0,5 N  
3 millions cycles  
IP40  
Zweidraht/ Two wire  
Stainless steel V2A  
2 single wires 0.5 m, Ø 0.6 mm, oil resistant  
axial

**Errors and omissions exceptet**