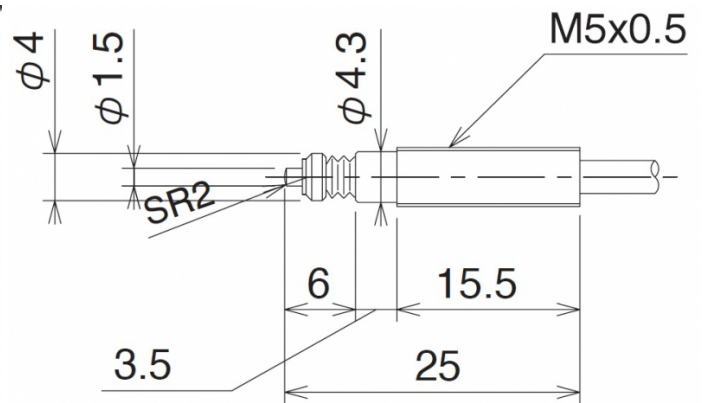


[Article Page](#)

Product Description


Touch Sensor



Name
Order number
Switch type

PTP5M1CB
08430271004

Signal Type
Connection
Dimension (in mm)
Technical Specification
Operating voltage
Max. load current
Switching hysteresis
Operating temperature
Temperature drift
Repeat accuracy

 N.C.
mechanical contact
Cable 2m
M5 x 19

5 - 24 V DC
10 mA
0
0 ° C to 80 ° C
0
0,001 mm (at operating speed 50 ... 200 mm/
min)

Stroke
Pre-travel
Accuracy
Probe tip
Operation load
art_ttl_mech
Protection category
Wiring
Housing material
Termination

1,5 mm
0 mm
0,001 mm
Zylinder 1,5/R 2,0
0,8 N
3 millions cycles
IP67
Zweidraht/ Two wire
Stainless steel V2A
cable 2 m, 2 wire, Ø 2.8 mm, oil resistant

Errors and omissions exceptet