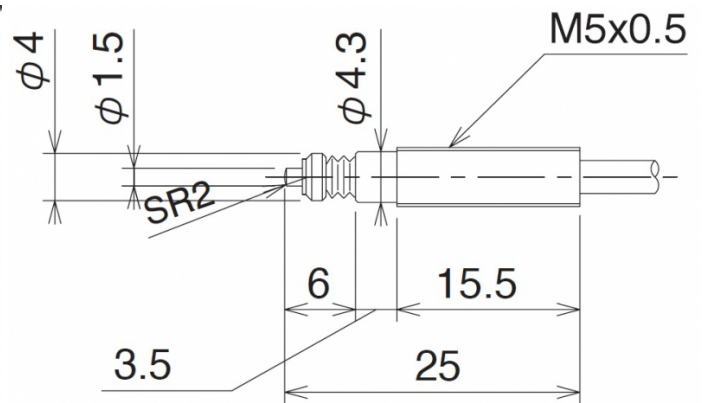


[Article Page](#)

Product Description


Touch Sensor

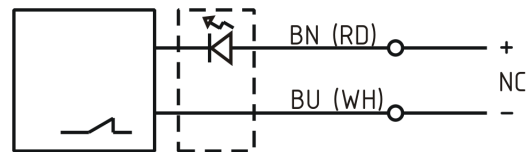


Name
Order number
Switch type

PTP5M3CB-L
08430271114

Signal Type
Connection
Connection diagramm

 N.C.
2-wire DC
Cable 2m



fine-pitch thread M5x0,5 x l = 25

Dimension (in mm)
Technical Specification
Operating voltage
Max. load current
Switching hysteresis
Operating temperature
Temperature drift
Repeat accuracy

5 - 24 V DC
10 mA
0
0 ° C to 80 ° C
0
0,003 mm (at operating speed 50 ... 200 mm/min)

Switching state
Stroke
Pre-travel
Accuracy
Probe tip
Probe tip material
Operation load
art_ttl_mech
Protection category
Wiring
Housing material
Termination
Approach direction

LED
1,5 mm
0 mm
0,003 mm
Zylinder 1,5/R 2,0
Edelstahl
0,8 N
3 millions cycles
IP67
Zweidraht/ Two wire
Stainless steel V2A
cable 2 m, 2 wire, Ø 2.8 mm, oil resistant
axial

Errors and omissions excepted