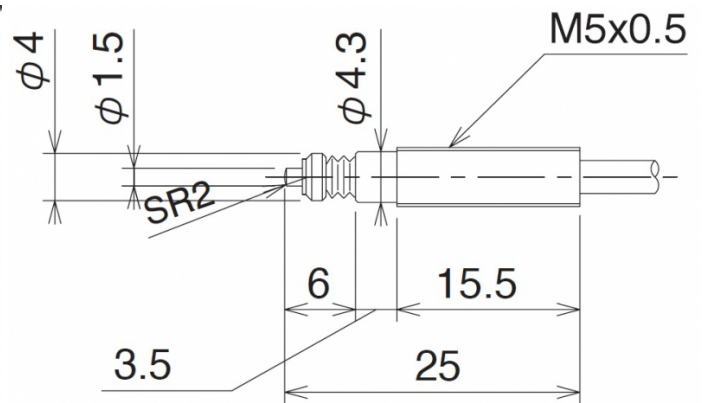



Touch Sensor



Name	PTP5M3CB
Order number	08430271014
Switch type	 N.C.
Signal Type	2-wire DC
Connection	Cable 2m
Dimension (in mm)	fine-pitch thread M5x0,5 x l = 25
art_gewicht	30 g
Technical Specification	
Operating voltage	5 - 24 V DC
Max. load current	10 mA
Switching hysteresis	0
Operating temperature	0 ° C to 80 ° C
Temperature drift	0
Repeat accuracy	0,003 mm (at operating speed 50 ... 200 mm/min)
Stroke	1,5 mm
Pre-travel	0 mm
Accuracy	0,003 mm
Probe tip	Zylinder 1,5/R 2,0
Operation load	0,8 N
art_ttl_mech	3 millions cycles
Protection category	IP67
Wiring	Zweidraht/ Two wire
Housing material	Stainless steel V2A
Termination	cable 2m, 2 wire, Ø2.8 mm, oil resistant
Approach direction	axial

Errors and omissions exceptet