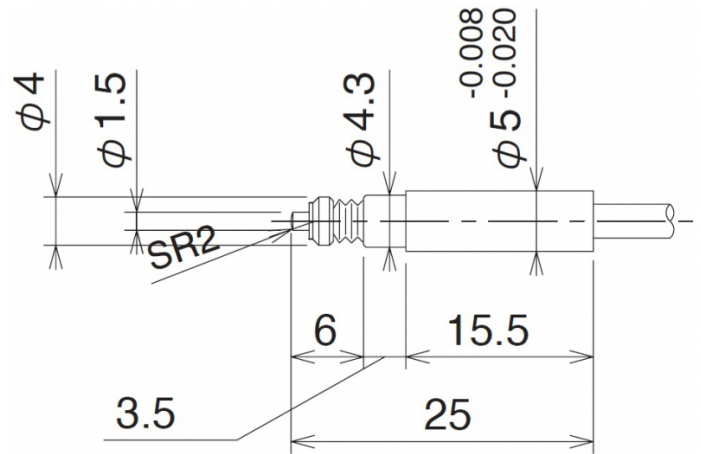


Touch Sensor



Name

PTP5S1CB

Order number

08430271005

Switch type

 N.C.

Signal Type

2-wire DC

Connection

Cable 2m

Dimension (in mm)

D 5 x l = 25

Technical Specification

Operating voltage

5 - 24 V DC

Max. load current

10 mA

Switching hysteresis

0

Operating temperature

0 ° C to 80 ° C

Temperature drift

0

Repeat accuracy

0,001 mm (at operating speed 50 ... 200 mm/min)

Stroke

1,5 mm

Pre-travel

0 mm

Accuracy

0,001 mm

Probe tip

Zylinder 1,5/R 2,0

Operation load

0,8 N

art_ttl_mech

3 millions cycles

Protection category

IP67

Wiring

Zweidraht/ Two wire

Housing material

Stainless steel V2A

Termination

cable 2m, 2 wire, Ø2.8 mm, oil resistant

Approach direction

axial

Errors and omissions exceptet