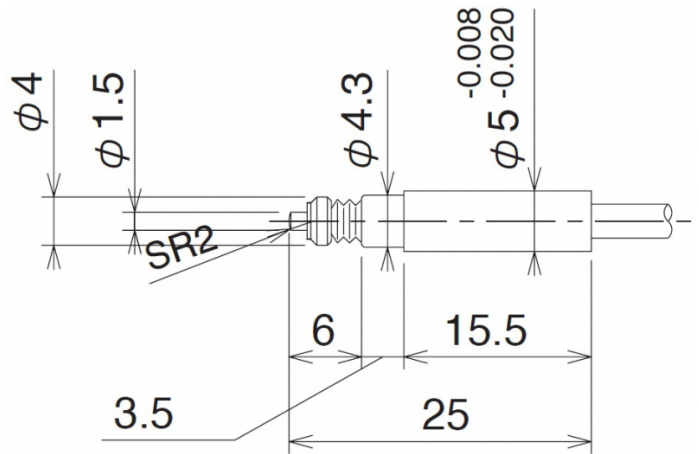



[Article Page](#)

Product Description

Touch Sensor



Name	PTP5S3CB
Order number	08430271015
Switch type	 N.C.
Signal Type	2-wire DC
Connection	Cable 2m
Dimension (in mm)	D 5 x 19
Technical Specification	
Operating voltage	5 - 24 V DC
Max. load current	10 mA
Switching hysteresis	0
Operating temperature	0 ° C to 80 ° C
Temperature drift	0
Repeat accuracy	0,003 mm (at operating speed 50 ... 200 mm/min)
Stroke	1,5 mm
Accuracy	0,003 mm
Probe tip	Zylinder 1,5/R 2,0
Operation load	0,8 N
art_ttl_mech	3 millions cycles
Protection category	IP67
Wiring	Zweidraht/ Two wire
Housing material	Stainless steel V2A
Termination	cable 2 m, 2 wire, Ø 2.8 mm, oil resistant

Errors and omissions exceptet