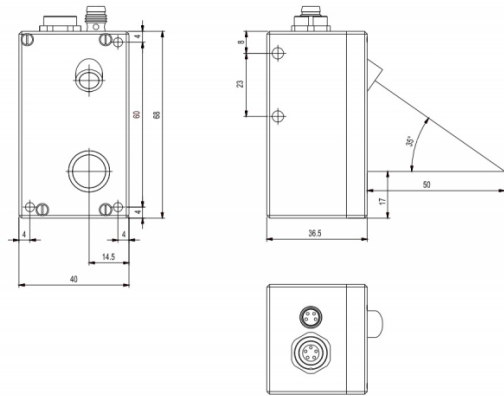


[Article Page](#)

Product Description

laser reflex probe



Name	R-LAS-GD1
Order number	08378442230
Switching distance	from 40 mm to 60 mm
Switch type	analog/digital
Signal Type	DC push-pull
Illuminant	Laser 670 nm
Connection	Connector
Dimension (in mm)	Q 40 x 36,5 x 68
Technical Specification	Interface RS232
Special features	12 - 32 V DC
Operating voltage	100 mA
Max. load current	≤ 110 mA
No load current	3 kHz
Switching frequency	-20 ° C to 55 ° C
Operating temperature	LED
Swiching state	via PC
Sensitivity adjustable	yes
Short-circuit proof	yes
Overload protection	yes
Reverse voltage protection	yes
Protection category	IP67
EMC-level	IEC801...
Housing material	Aluminum

Errors and omissions exceptet