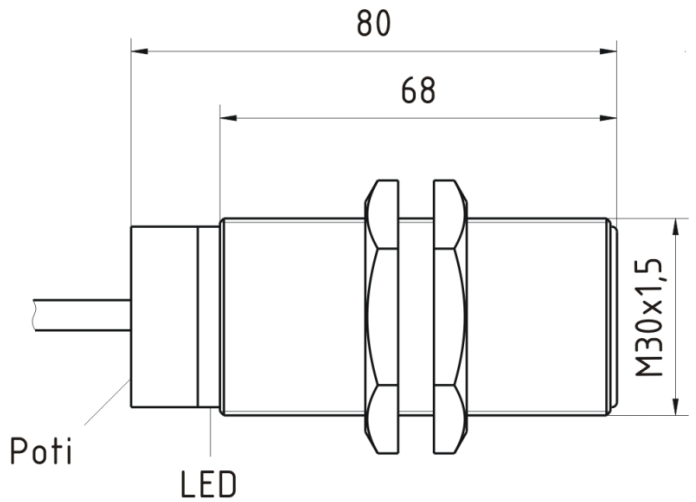
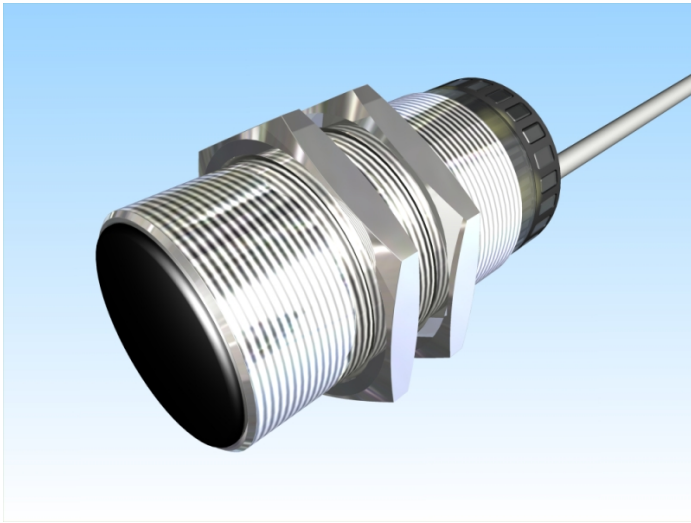


[Article Page](#)


Product Description

capacitive sensor DC



Name  
Order number  
Switching distance  
Mounting


SC20-M30MB80-DPÖ  
08323302020  
20 mm

 shielded

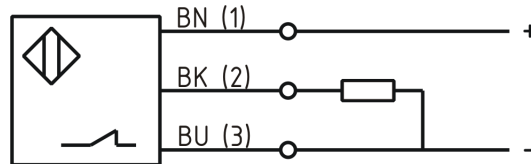
Switch type

 N.C.  
DC PNP

Signal Type  
Connection

 Cable

Connection diagramm



fine-pitch thread M30 x 80

Dimension (in mm)  
Technical Specification  
Operating voltage  
Max. ripple  
Voltage drop  
Max. load current  
No load current  
Leakage current  
Switching frequency  
Switching hysteresis  
Operating temperature  
Temperature drift  
Repeat accuracy  
Switching state  
Short-circuit proof  
Overload protection  
Reverse voltage protection  
Protection category  
EMC-level  
Material active face  
Termination

10 - 30 VDC  
≤ 10 %  
2 V  
200 mA  
≤ 10 mA  
≤ 10 μA  
100  
≤ 15 %  
-25 ° C to 70 ° C  
≤ 10 %  
≤ 5 %  
LED  
yes  
yes  
yes  
IP67  
DIN EN 60947-5-2:2008  
PBT  
2m PVC 3x0,5mm<sup>2</sup>



## SC20-M30MB80-DPÖ

Pulsotronic GmbH & Co. KG Neue Schichtstraße 14b 09366 Niederdorf Deutschland +49 (0)37296 930-200

**Errors and omissions excepted**