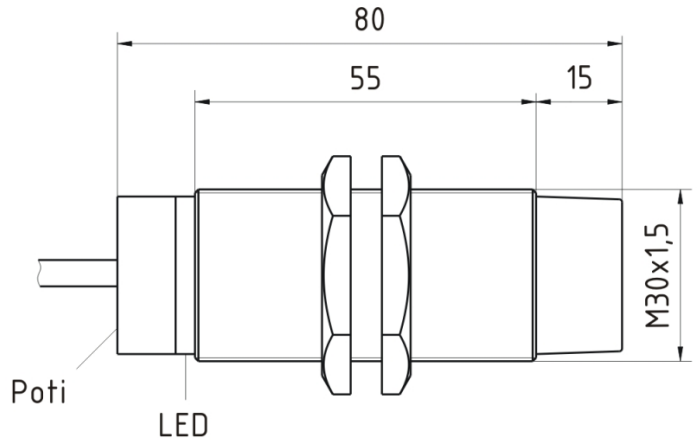
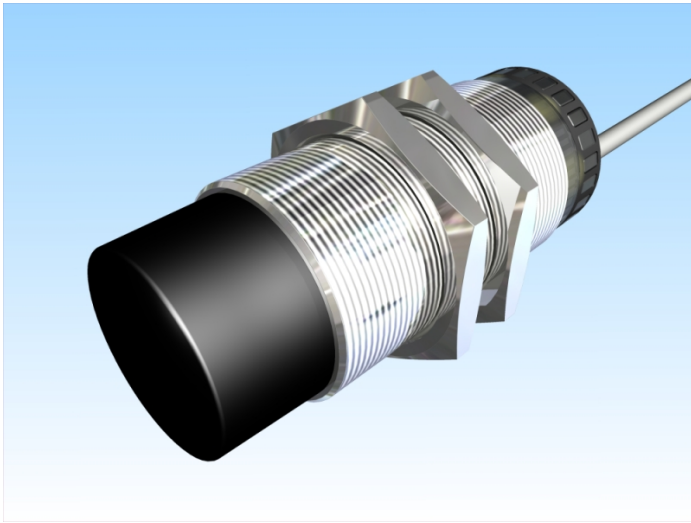


[Article Page](#)

Product Description

capacitive sensor DC



Name
Order number
Switching distance
Mounting

SC30-M30MN80-DPS
08323303010
30 mm

non shielded

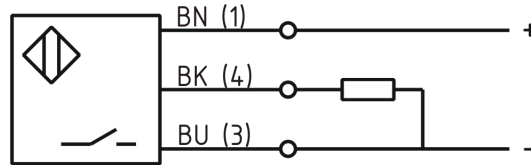
Switch type

N.O.
DC PNP

Signal Type
Connection

Cable

Connection diagramm



fine-pitch thread M30 x 80

Dimension (in mm)
Technical Specification
Operating voltage
Max. ripple
Voltage drop
Max. load current
No load current
Leakage current
Switching frequency
Switching hysteresis
Operating temperature
Temperature drift
Repeat accuracy
Switching state
Short-circuit proof
Overload protection
Reverse voltage protection
Protection category
EMC-level
Material active face
Termination

10 - 30 VDC
≤ 10 %
2 V
200 mA
≤ 10 mA
≤ 10 μA
100
≤ 15 %
-25 ° C to 70 ° C
≤ 10 %
≤ 5 %
LED
yes
yes
yes
IP67
DIN EN 60947-5-2:2008
PBT
2m PVC 3x0,5mm²



SC30-M30MN80-DPS

Pulsotronic GmbH & Co. KG Neue Schichtstraße 14b 09366 Niederdorf Deutschland +49 (0)37296 930-200

Errors and omissions exceptet