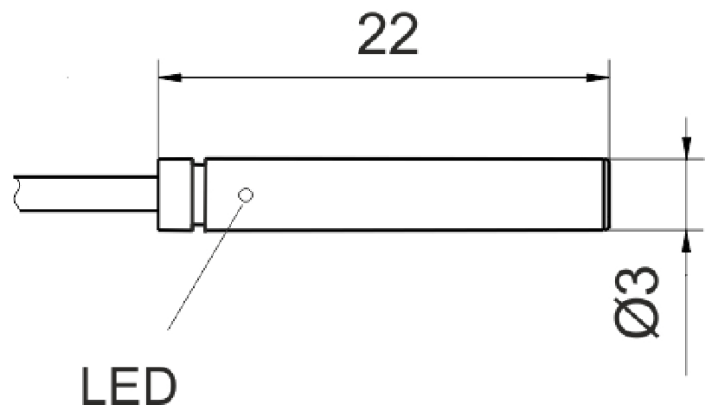


[Article Page](#)

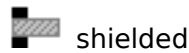
Product Description

inductive sensor DC



Name
Order number
Matchcode
Switching distance
Mounting

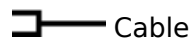
SJ0,8-G3EB22-DPS
08313030081
9980-3010
0,8 mm



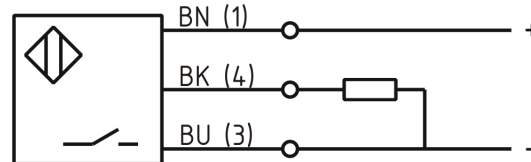
Switch type

N.O.
DC PNP

Signal Type
Connection



Connection diagramm



Dimension (in mm)
Technical Specification
Operating voltage
Max. ripple
Voltage drop
Max. load current
No load current
Leakage current
Switching frequency
Switching hysteresis
Operating temperature
Temperature drift
Repeat accuracy
Switching state
Efficiency
Short-circuit proof
Overload protection
Reverse voltage protection
Protection category
EMC-level
Housing material
Material active face
Cable material
Termination

D 3 x 22
10 - 30 VDC
≤ 10 %
1 V
200 mA
≤ 10 mA
≤ 10 µA
2000 Hz
≤ 15 %
-25 ° C to 70 ° C
≤ 10 %
≤ 1 %
LED
DC 13
yes
yes
yes
IP67
DIN EN 60947-5-2:2008
Stainless steel V2A
POM
PUR LIY11Y grau (gre
2m PUR 3x0,15mm²



SJ0,8-G3EB22-DPS

Pulsotronic GmbH & Co. KG Neue Schichtstraße 14b 09366 Niederdorf Deutschland +49 (0)37296 930-200

Errors and omissions exceptet