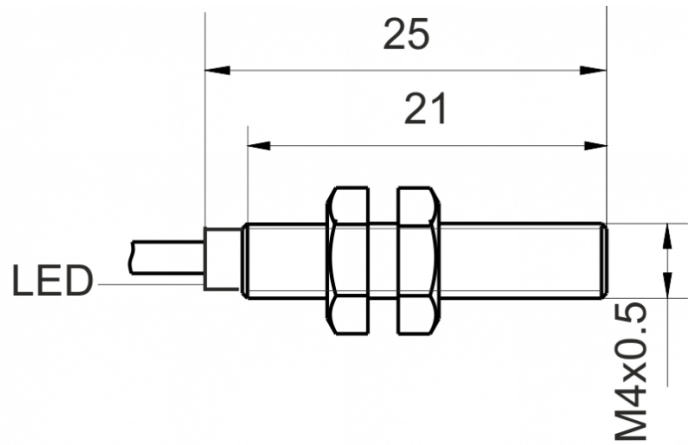
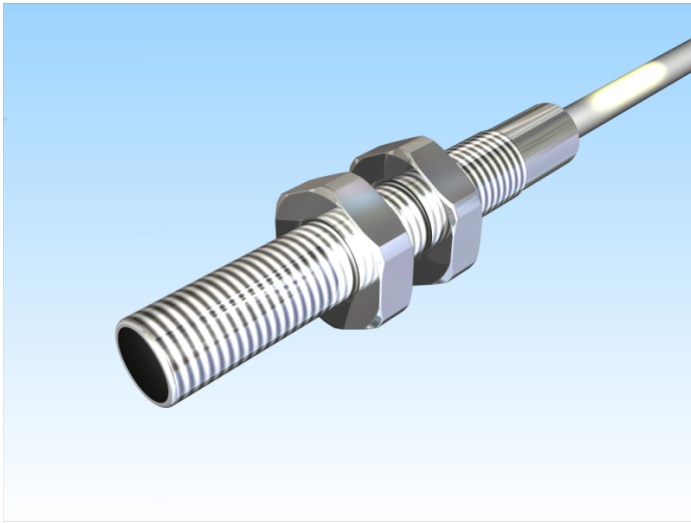


[Article Page](#)

Product Description

inductive sensor DC



Name
Order number
Switching distance
Mounting


Switch type


Signal Type
Connection

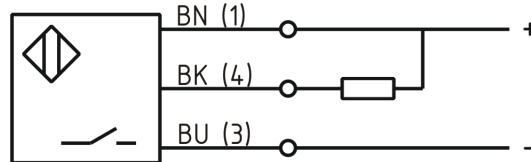
Connection diagramm

SJ0,8-M4EB25-DNS
08313040087
0,8 mm

 shielded

 N.O.
DC NPN

 Cable



fine-pitch thread M4 x 25

Dimension (in mm)
Technical Specification
Operating voltage
Max. ripple
Voltage drop
Max. load current
No load current
Leakage current
Switching frequency
Switching hysteresis
Operating temperature
Temperature drift
Repeat accuracy
Switching state
Time delay
Short-circuit proof
Overload protection
Reverse voltage protection
Protection category
EMC-level
Housing material
Material active face

10 - 30 VDC
≤ 10 %
1 V
200 mA
≤ 10 mA
≤ 10 µA
2000 Hz
≤ 15 %
-25 ° C to 70 ° C
≤ 10 %
≤ 2 %
LED
100 ms
yes
yes
yes
IP67
DIN EN 60947-5-2:2008
Stainless steel V2A
POM



SJ0,8-M4EB25-DNS

Pulsotronic GmbH & Co. KG Neue Schichtstraße 14b 09366 Niederdorf Deutschland +49 (0)37296 930-200

Cable length	2 m
Utilisation category	DC 13
Cable material	PUR LIY11Y grau (gre
Nominal operating voltage	24 V DC
Cable cross	3x0.15 mm ²

Errors and omissions exceptet