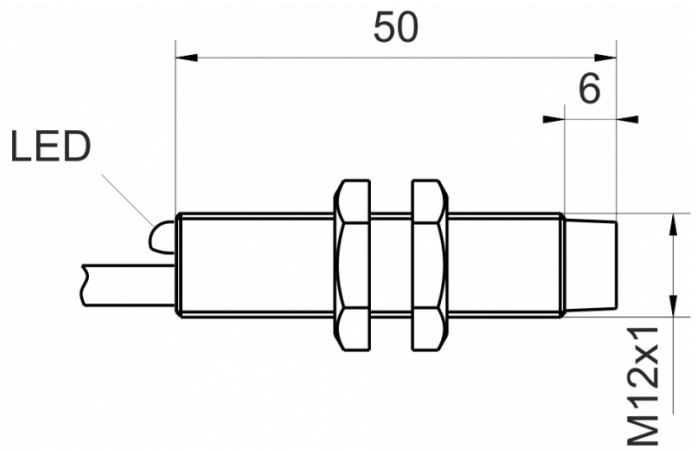
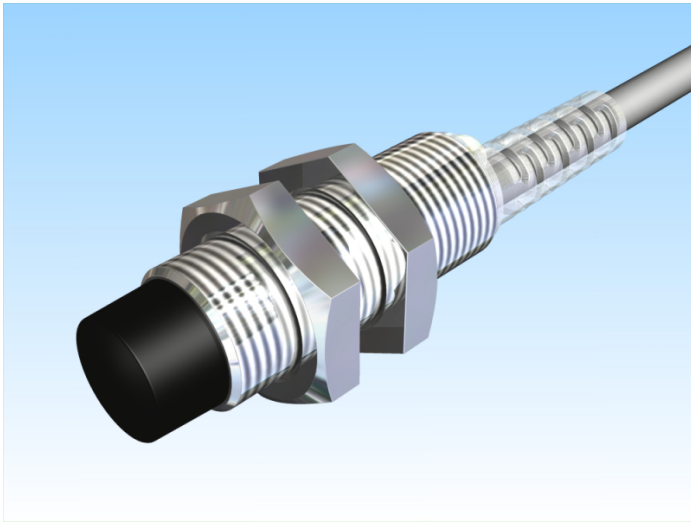


[Article Page](#)


Product Description

inductive sensor DC



Name
Order number
Switching distance
Mounting


SJ10-M12MN50-DPÖ
08313121027
10 mm

 non shielded

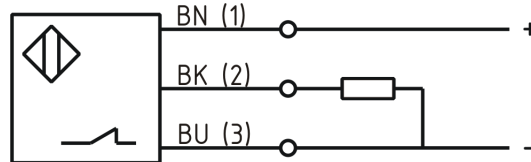
Switch type

 N.C.
DC PNP

Signal Type
Connection

 Cable

Connection diagramm



fine-pitch thread M12 x 50

Dimension (in mm)
Technical Specification
Operating voltage
Max. ripple
Voltage drop
Max. load current
No load current
Leakage current
Switching frequency
Switching hysteresis
Operating temperature
Temperature drift
Repeat accuracy
Switching state
Time delay
Short-circuit proof
Overload protection
Reverse voltage protection
Protection category
EMC-level
Housing material
Material active face

10 - 30 VDC
≤ 10 %
1 V
200 mA
≤ 10 mA
≤ 10 μA
500 Hz
≤ 15 %
-25 ° C to 70 ° C
< 10 %
≤ 5 %
LED
300 ms
yes
yes
yes
IP67
DIN EN 60947-5-2:2008
Brass, nickel plated
PBT



SJ10-M12MN50-DPÖ

Pulsotronic GmbH & Co. KG Neue Schichtstraße 14b 09366 Niederdorf Deutschland +49 (0)37296 930-200

Utilisation category
Cable material
Nominal operating voltage

DC 13
PVC LIYY grau (grey)
24 V DC

Errors and omissions excepted