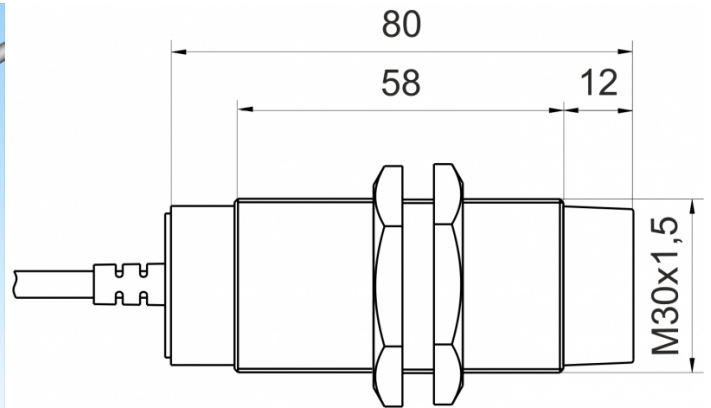
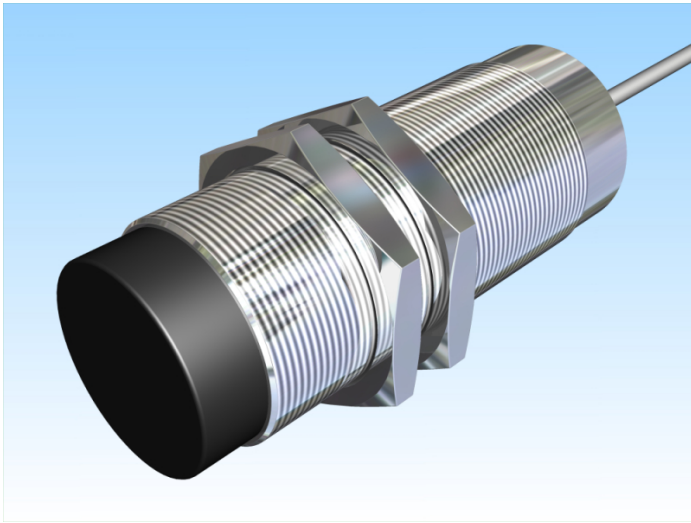


[Article Page](#)




Product Description

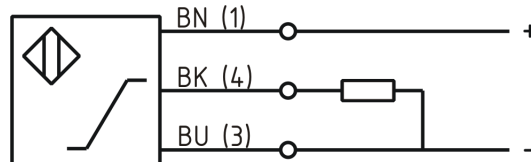
inductive sensor analogue



Name  
 Order number  
 Switching distance  
 Mounting  
  
 Switch type  
  
 Signal Type  
 Connection  
  
 Connection diagramm  
  
  
 Dimension (in mm)  
 Technical Specification  
 Special features  
  
 Operating voltage  
 Max. ripple  
 No load current  
 Switching frequency  
 Temperature drift  
 Repeat accuracy  
 Linearity  
 Time delay  
 Protection category  
 EMC-level  
 Housing material  
 Material active face  
 Cable length  
 Utilisation category  
 Cable material  
 Nominal operating voltage  
 Cable cross  
 internal load resistor

SJ14-M30MN80-ANUI  
 08313301410  
 from 7 mm to 14 mm

-  non shielded
-  analog  
Analog Current/Voltage
-  Cable



fine-pitch thread M30 x 80

Output Voltage 0 ... 10 Volt  
 Output Current 0 ... 20 mA  
 18 - 30 VDC  
 $\leq 10 \%$   
 $\leq 15 \text{ mA}$   
 30 Hz  
 $\pm 5 \%$   
 $< 0,02 \%$   
 $\leq 10 \%$   
 300 ms  
 IP67  
 DIN EN 60947-5-7:2004-06  
 Brass, nickel plated  
 PBT  
 2 m  
 DC 13  
 PVC LIYY grau (grey)  
 24 V DC  
 $4 \times 0,5 \text{ mm}^2$   
 $> 1 \text{ k}\Omega$

**Errors and omissions exceptet**