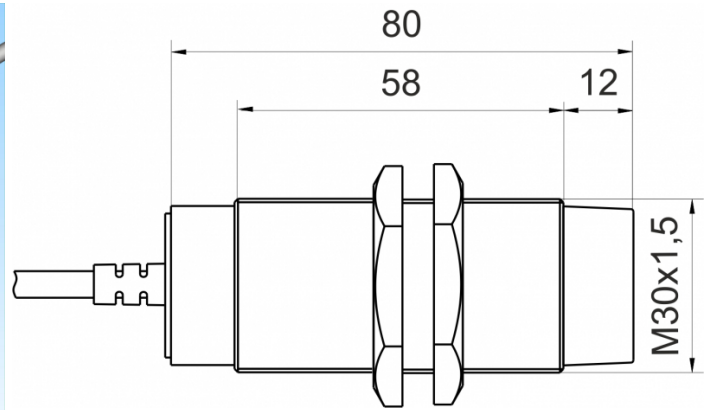
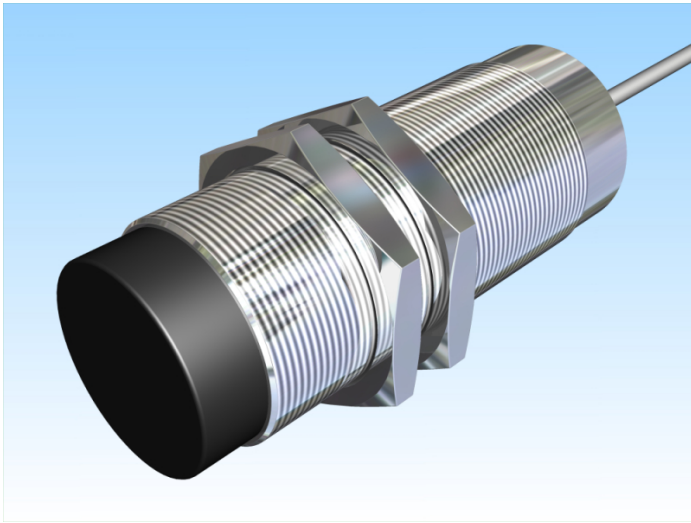


[Article Page](#)

Product Description

inductive sensor analogue



Name  
 Order number  
 Switching distance  
 Mounting

Switch type




Signal Type  
 Connection

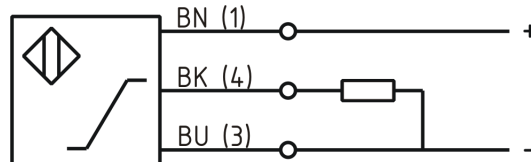
Connection diagramm

Dimension (in mm)  
 Technical Specification  
 Special features

Operating voltage  
 Max. ripple  
 No load current  
 Switching frequency  
 Temperature drift  
 Repeat accuracy  
 Linearity  
 Time delay  
 Protection category  
 EMC-level  
 Housing material  
 Material active face  
 Cable length  
 Utilisation category  
 Cable material  
 Nominal operating voltage  
 Cable cross  
 internal load resistor

SJ14-M30MN80-ANUI  
 08313301410  
 from 7 mm to 14 mm

-  non shielded
-  analog  
Analog Current/Voltage
-  Cable



fine-pitch thread M30 x 80

Output Voltage 0 ... 10 Volt  
 Output Current 0 ... 20 mA  
 18 - 30 VDC  
 ≤ 10 %  
 ≤ 15 mA  
 30 Hz  
 +/- 5 %  
 < 0,02 %  
 ≤ 10 %  
 300 ms  
 IP67  
 DIN EN 60947-5-7:2004-06  
 Brass, nickel plated  
 PBT  
 2 m  
 DC 13  
 PVC LIYY grau (grey)  
 24 V DC  
 4x0.5 mm<sup>2</sup>  
 > 1 kOhm

**Errors and omissions exceptet**