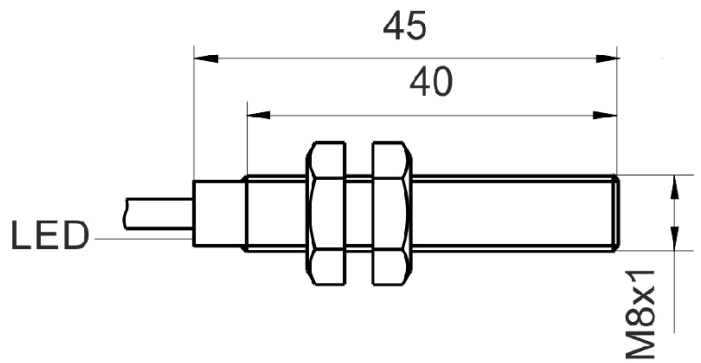
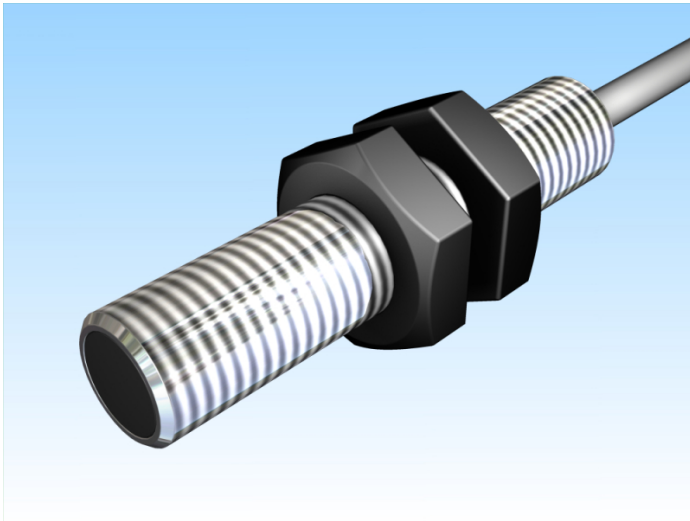


[Article Page](#)

Product Description



inductive sensor DC




Name  
Order number  
Switching distance  
Mounting

SJ1,5-M8EB45-DNA  
08313081550  
1,5 mm

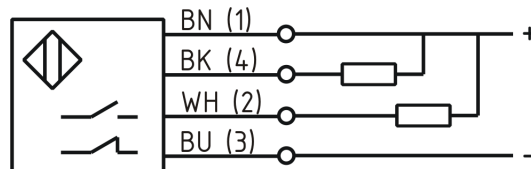
Switch type

 shielded  
 Changeover  
DC NPN

Signal Type  
Connection

 Cable

Connection diagramm



fine-pitch thread M8 x 45

Dimension (in mm)  
Technical Specification  
Operating voltage  
Max. ripple  
Voltage drop  
Max. load current  
No load current  
Leakage current  
Switching frequency  
Switching hysteresis  
Operating temperature  
Temperature drift  
Repeat accuracy  
Switching state  
Short-circuit proof  
Overload protection  
Reverse voltage protection  
Protection category  
EMC-level  
Housing material  
Material active face  
Cable length

10 - 30 VDC  
≤ 10 %  
1 V  
200 mA  
≤ 10 mA  
≤ 10 μA  
2000 Hz  
≤ 15 %  
-25 ° C to 70 ° C  
≤ 10 %  
≤ 1,0 %  
LED  
yes  
yes  
yes  
IP67  
DIN EN 60947-5-2: 2008  
Stainless steel V2A  
POM  
2 m



## **SJ1,5-M8EB45-DNA**

Pulsotronic GmbH & Co. KG Neue Schichtstraße 14b 09366 Niederdorf Deutschland +49 (0)37296 930-200

Utilisation category  
Cable material  
Cable cross

DC 13  
PVC grau LIYY  
4x0.14 mm<sup>2</sup>

**Errors and omissions exceptet**