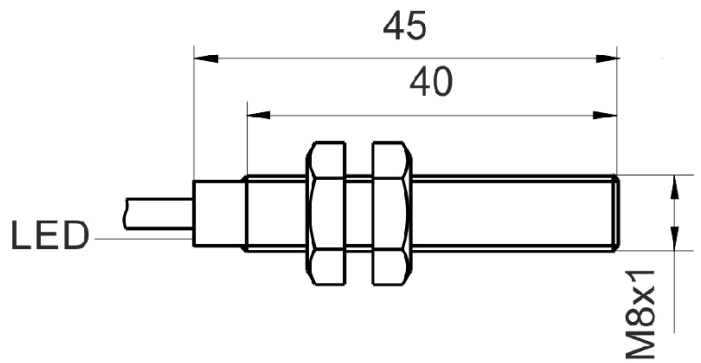
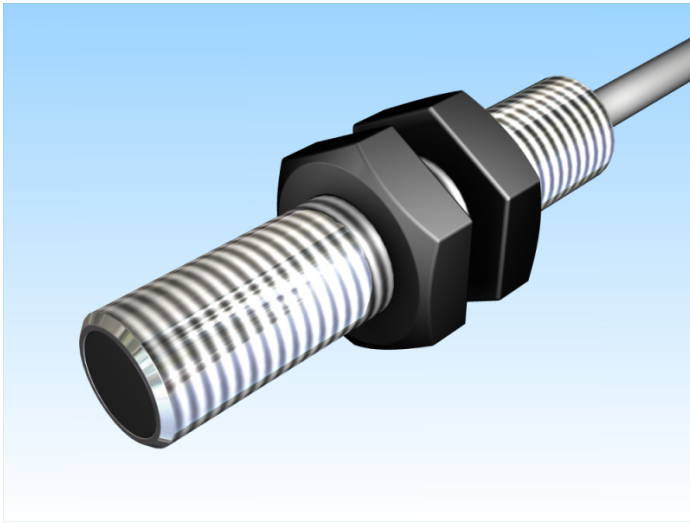


[Article Page](#)

Product Description

inductive sensor DC



Name
Order number
Switching distance
Mounting

SJ1,5-M8EB45-DPA
08313081560
1,5 mm

Switch type

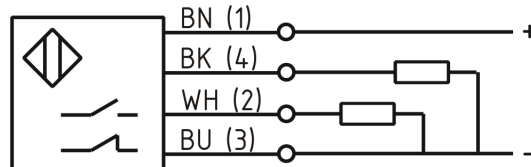
shielded

Signal Type
Connection

Changeover
DC PNP

Connection diagramm

Cable



fine-pitch thread M8 x 45

Dimension (in mm)
Technical Specification
Operating voltage
Max. ripple
Voltage drop
Max. load current
No load current
Leakage current
Switching frequency
Switching hysteresis
Operating temperature
Temperature drift
Repeat accuracy
Switching state
Short-circuit proof
Overload protection
Reverse voltage protection
Protection category
EMC-level
Housing material
Material active face
Cable length

10 - 30 VDC
≤ 10 %
1 V
200 mA
≤ 10 mA
≤ 10 μA
2000 Hz
≤ 15 %
-25 ° C to 70 ° C
≤ 10 %
≤ 1,0 %
LED
yes
yes
yes
IP67
DIN EN 60947-5-2: 2008
Stainless steel V2A
POM
2 m



SJ1,5-M8EB45-DPA

Pulsotronic GmbH & Co. KG Neue Schichtstraße 14b 09366 Niederdorf Deutschland +49 (0)37296 930-200

Utilisation category
Cable material
Cable cross

DC 13
PVC grau LIYY
4x0.14 mm²

Errors and omissions exceptet