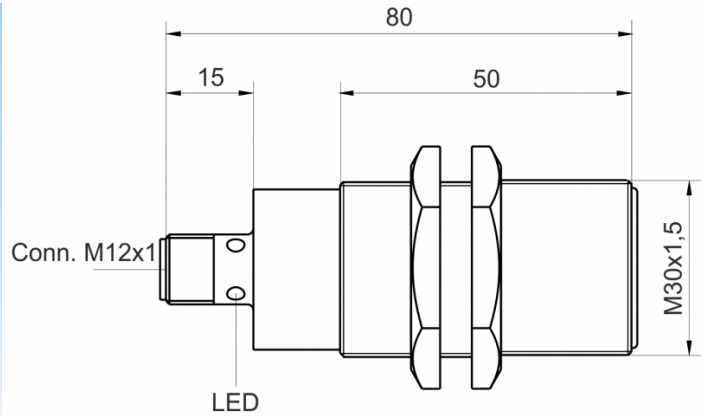
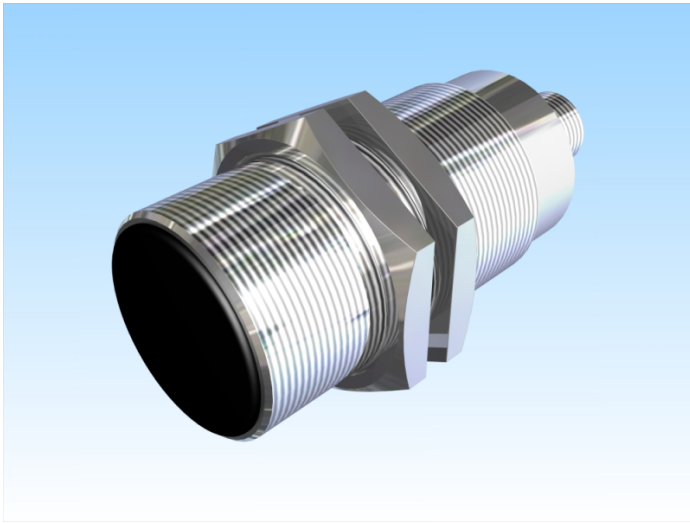


[Article Page](#)

Product Description

inductive sensor DC



Name
Order number
Switching distance
Mounting

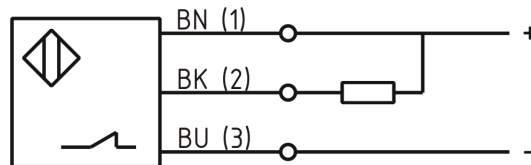
Switch type

Signal Type
Connection
Connection diagramm

SJ22-M30MB80-DNÖ-V2
08313223042
22 mm

 shielded

 N.C.
DC NPN
connector M12



fine-pitch thread M30 x 80

Dimension (in mm)
Technical Specification
Special features
Operating voltage
Max. ripple
Voltage drop
Max. load current
No load current
Leakage current
Switching frequency
Switching hysteresis
Operating temperature
Temperature drift
Repeat accuracy
Switching state
Time delay
Protection category
EMC-level
Housing material
Material active face
Utilisation category
Contact material
Contact surface material

quasi-shielded mounting
10 - 30 V DC
≤ 10 %
2 V
200 mA
≤ 10 mA
≤ 50 µA
300 Hz
≤ 15 %
-25 ° C to 70 ° C
≤ 10 %
≤ 5 %
LED
300 ms
IP67
DIN EN 60947-5-2:2008
Brass, nickel plated
PBT
DC 13
CuSn
NiAu



SJ22-M30MB80-DNÖ-V2

Pulsotronic GmbH & Co. KG Neue Schichtstraße 14b 09366 Niederdorf Deutschland +49 (0)37296 930-200

Nominal operating voltage
Termination

24 V DC
Connector M12 4pin

Errors and omissions excepted