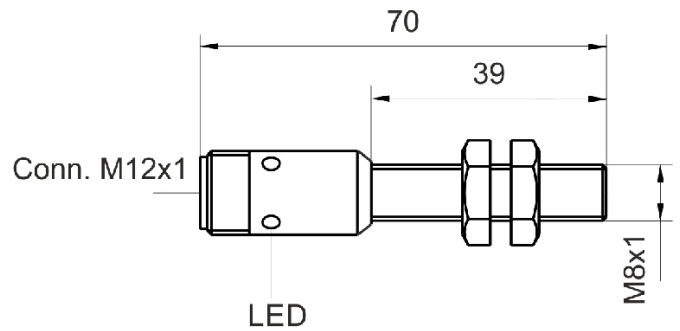


[Article Page](#)

Product Description

inductive sensor DC




Name
Order number
Switching distance
Mounting

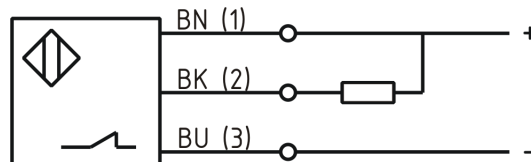
Switch type

Signal Type
Connection
Connection diagramm

SJ3-M8MB70-DNÖ-V2
08313030842
3 mm

 shielded

 N.C.
DC NPN
connector M12



fine-pitch thread M8 x 70

Dimension (in mm)
Technical Specification
Special features
Operating voltage
Max. ripple
Voltage drop
Max. load current
No load current
Leakage current
Switching frequency
Switching hysteresis
Operating temperature
Temperature drift
Repeat accuracy
Switching state
Time delay
Short-circuit proof
Overload protection
Reverse voltage protection
Protection category
EMC-level
Housing material
Material active face

quasi-shielded mounting
10 - 30 VDC
≤ 10 %
1 V
200 mA
≤ 10 mA
≤ 10 μA
1000 Hz
≤ 15 %
-25 ° C to 70 ° C
< 10 %
≤ 2 %
LED
300 ms
yes
yes
yes
IP67
DIN EN 60947-5-2:2008
Brass, nickel plated
PBT



SJ3-M8MB70-DNÖ-V2

Pulsotronic GmbH & Co. KG Neue Schichtstraße 14b 09366 Niederdorf Deutschland +49 (0)37296 930-200

Contact material
Contact surface material
Termination

Cu
NiAu
Connector M12 4pin

Errors and omissions exceptet