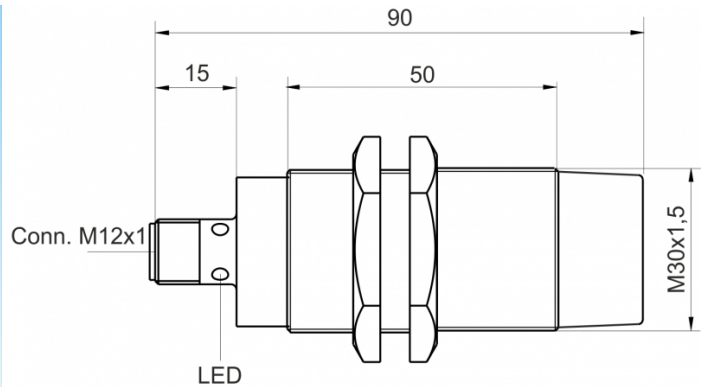
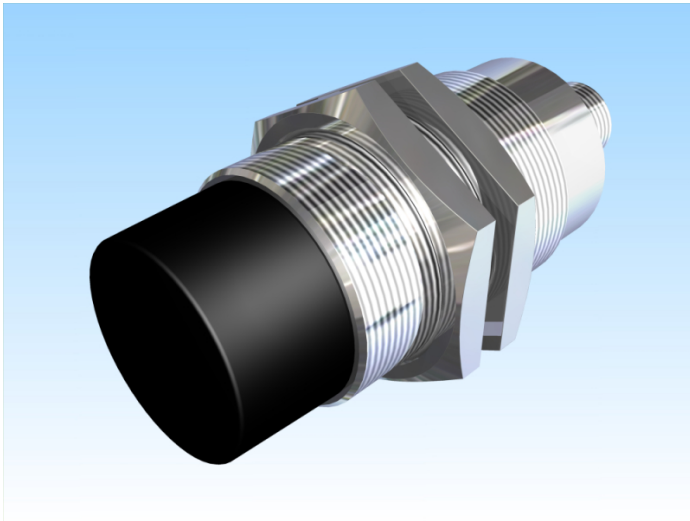


[Article Page](#)

Product Description

inductive sensor DC



Name
Order number
Switching distance
Mounting

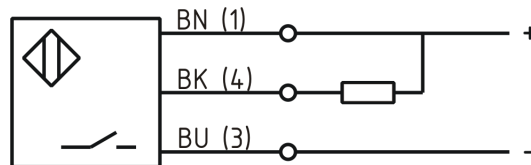
Switch type

Signal Type
Connection
Connection diagramm

SJ40-M30MN95-DNS-V2
08317865365
40 mm

non shielded

N.O.
NPN
connector M12



fine-pitch thread M30 x 90

Dimension (in mm)
Technical Specification
Operating voltage
Max. ripple
Voltage drop
Max. load current
No load current
Leakage current
Switching frequency
Switching hysteresis
Operating temperature
Temperature drift
Repeat accuracy
Switching state
Time delay
Short-circuit proof
Overload protection
Reverse voltage protection
Protection category
EMC-level
Housing material
Utilisation category
Contact material

10 - 30 V DC
≤ 10 %
2 V
200
≤ 10 mA
≤ 10 μA
100 Hz
≤ 15 %
-25 ° C to 70 ° C
≤ 10 %
≤ 5 %
LED
300 ms
yes
yes
yes
IP67
acc. to DIN EN 60947-5-2:2008
Brass, nickel plated
DC 13
CuSn



SJ40-M30MN95-DNS-V2

Pulsotronic GmbH & Co. KG Neue Schichtstraße 14b 09366 Niederdorf Deutschland +49 (0)37296 930-200

Contact surface material
Nominal operating voltage

NiAu
24 V DC

Errors and omissions exceptet