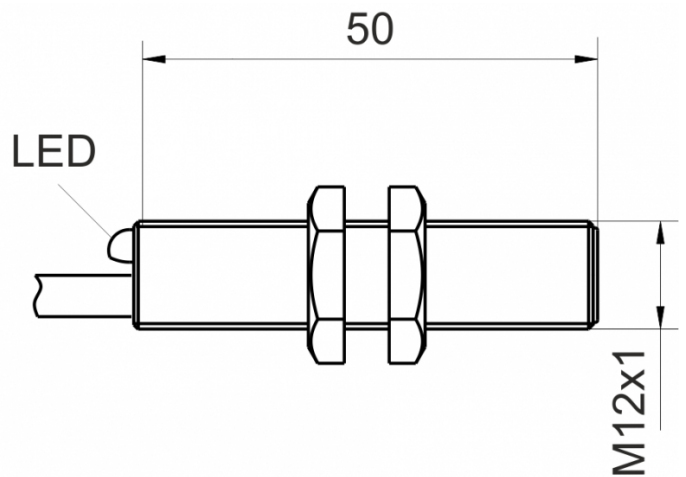
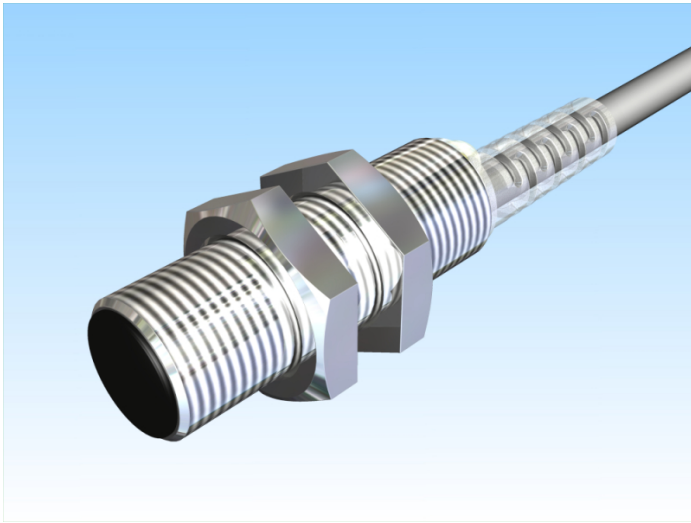


[Article Page](#)

Product Description

inductive sensor DC



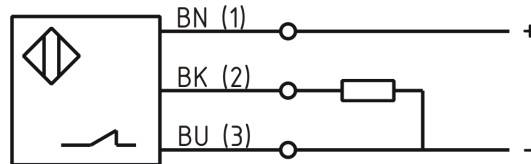
Name
Order number
Switching distance
Mounting

Switch type

Signal Type
Connection

Connection diagramm

SJ6-M12MB50-DPÖ
08313120627
6 mm
 shielded
 N.C.
DC PNP
 Cable



fine-pitch thread M12 x 50

Dimension (in mm)
Technical Specification
Special features
Operating voltage
Max. ripple
Voltage drop
Max. load current
No load current
Leakage current
Switching frequency
Switching hysteresis
Operating temperature
Temperature drift
Repeat accuracy
Switching state
Time delay
Short-circuit proof
Overload protection
Reverse voltage protection
Protection category
EMC-level
Housing material

quasi-shielded mounting
10 - 30 VDC
≤ 10 %
1 V
200 mA
≤ 10 mA
≤ 10 μA
1000 Hz
≤ 15 %
-25 ° C to 70 ° C
< 10 %
≤ 5 %
LED
300 ms
yes
yes
yes
IP67
DIN EN 60947-5-2:2008
Brass, nickel plated



SJ6-M12MB50-DPÖ

Pulsotronic GmbH & Co. KG Neue Schichtstraße 14b 09366 Niederdorf Deutschland +49 (0)37296 930-200

Material active face	POM
Cable length	2 m
Utilisation category	DC 13
Cable material	PVC LIYY grau (grey)
Nominal operating voltage	24 V DC
Cable cross	3x0.34 mm ²

Errors and omissions exceptet